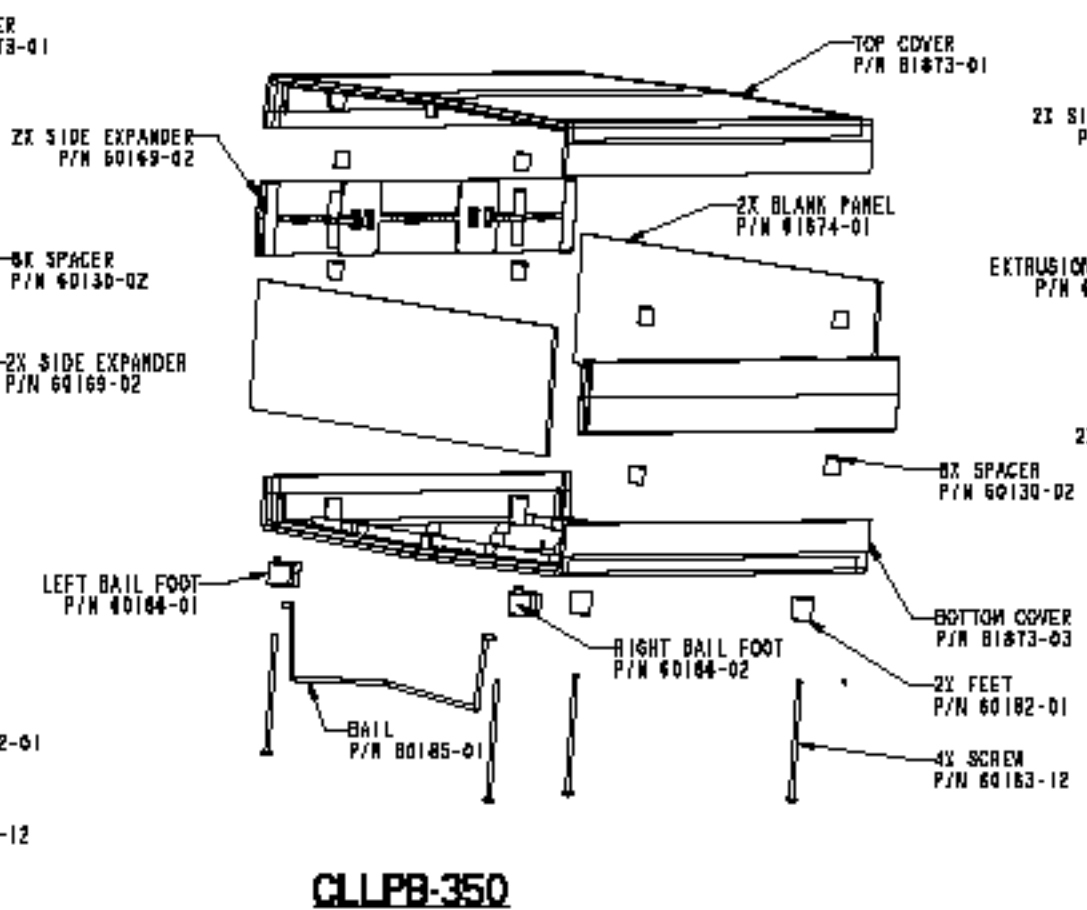
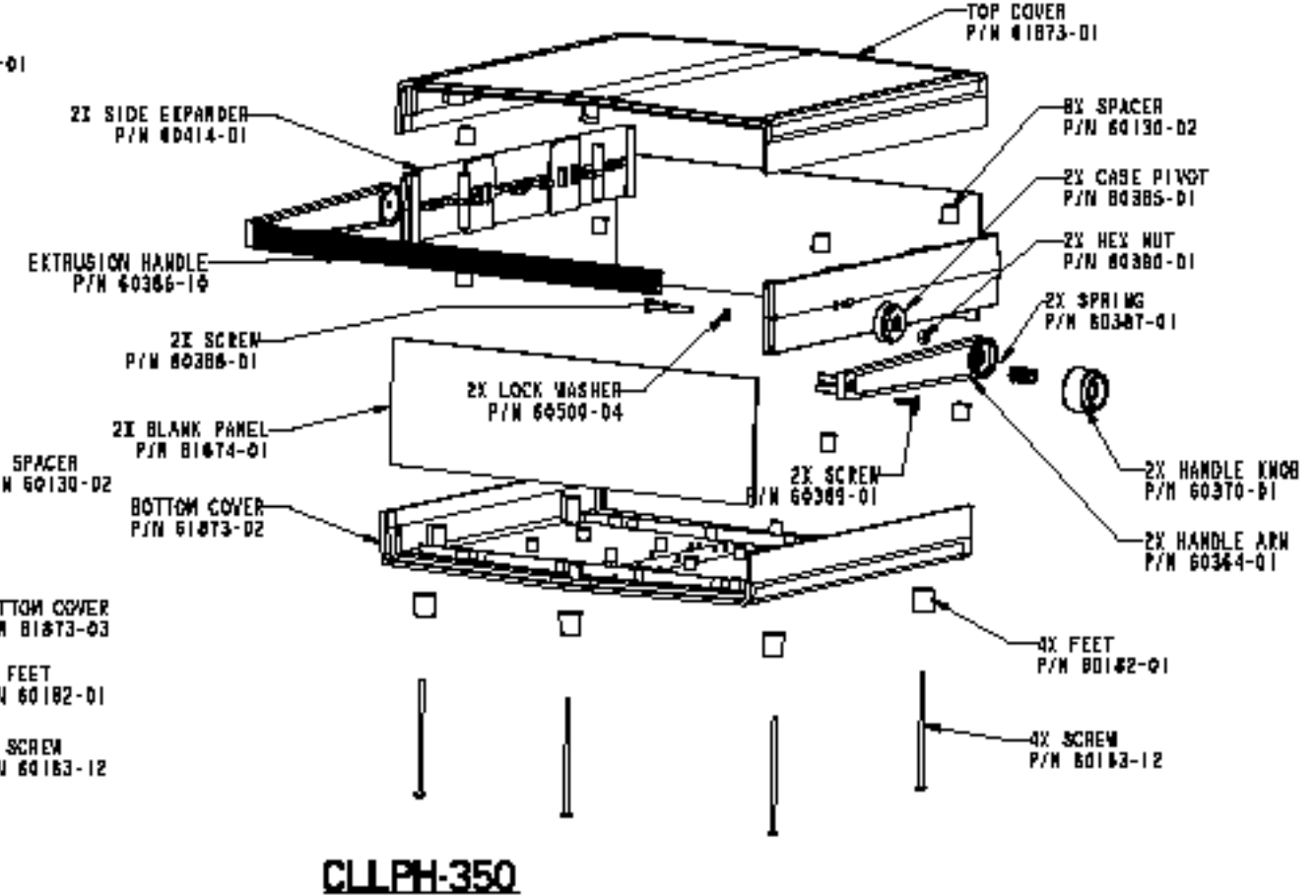


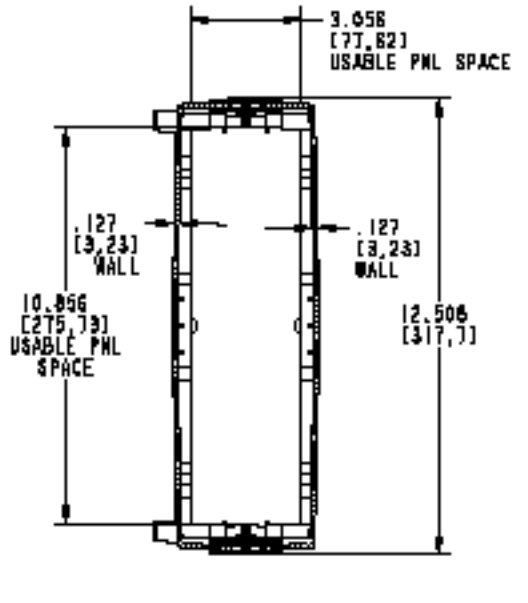
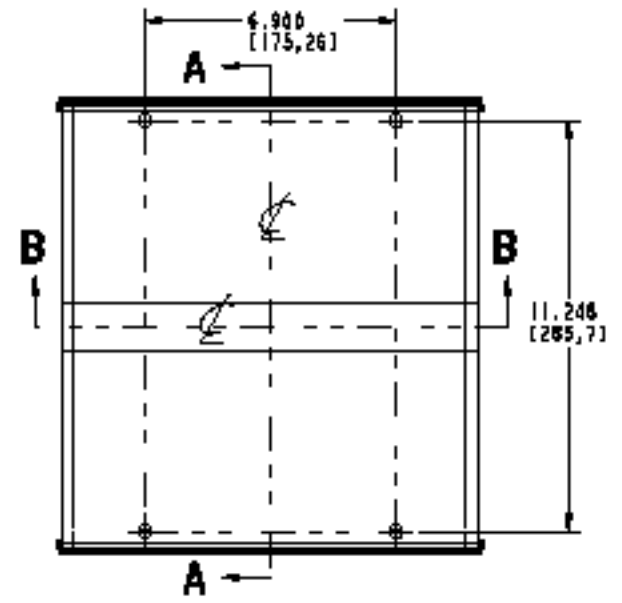
CLLP-350



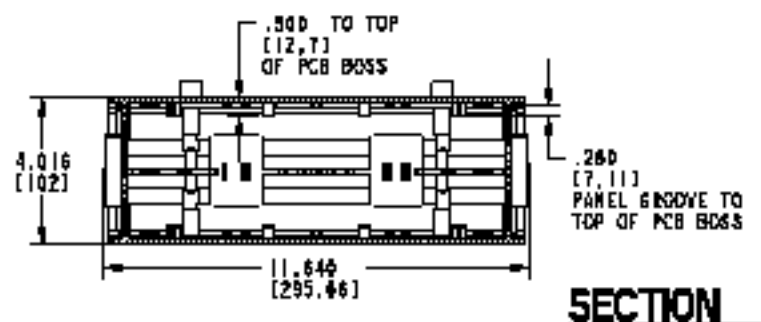
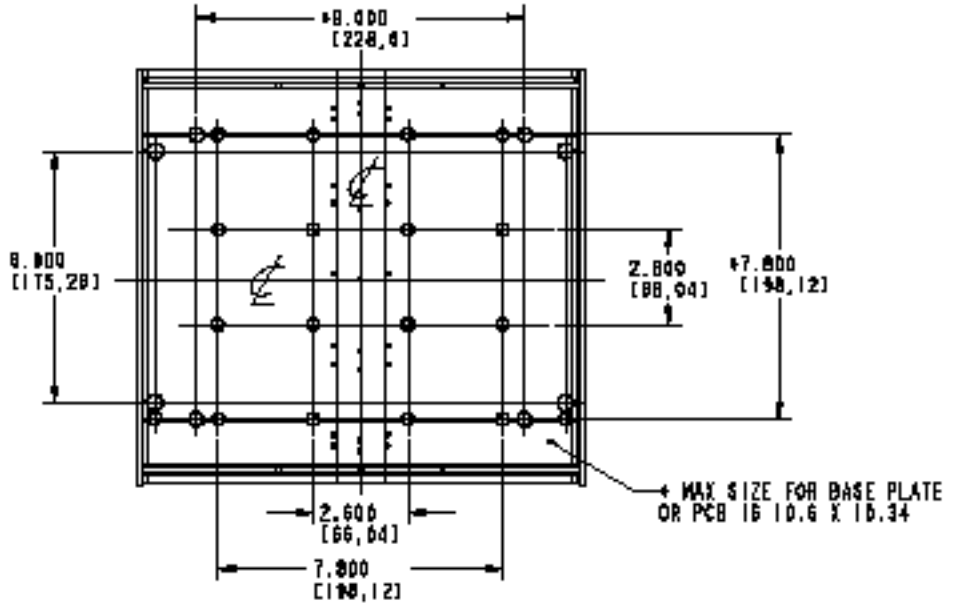
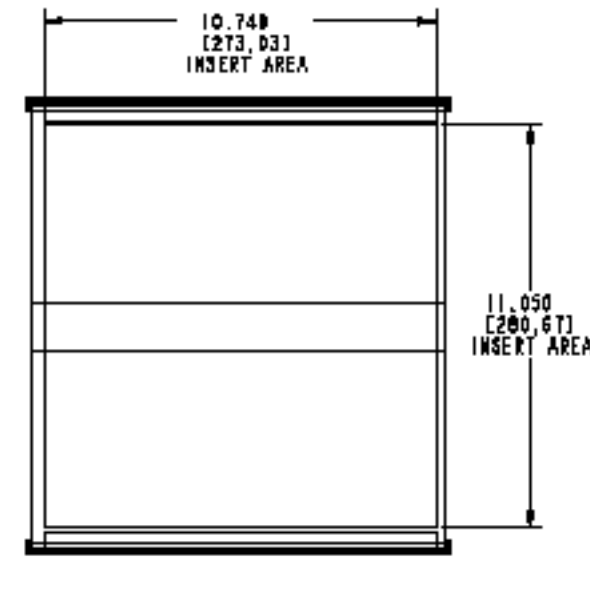
CLLPB-350



CLLPH-350



SECTION A-A



SECTION B-B

PACINTEC®
1-610-361-4200
CLLP-350, CLLPB-350
CLLPH-350

VISIT **PACINTEC®**
ON THE WORLD WIDE WEB
www.pacintecenclosures.com

COLOR / MATERIAL CODE		
COLOR	B4HE	B4VO
BLACK	006	020
P.C. BOARD	036	080