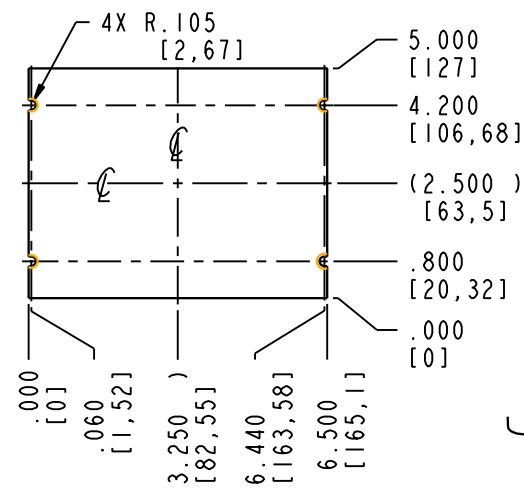
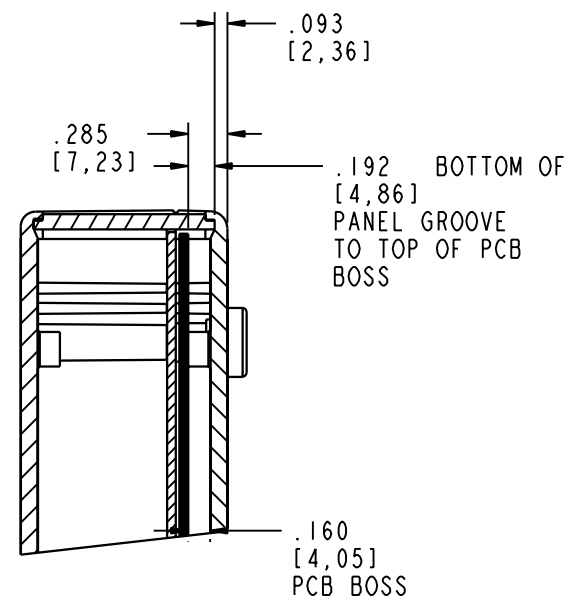
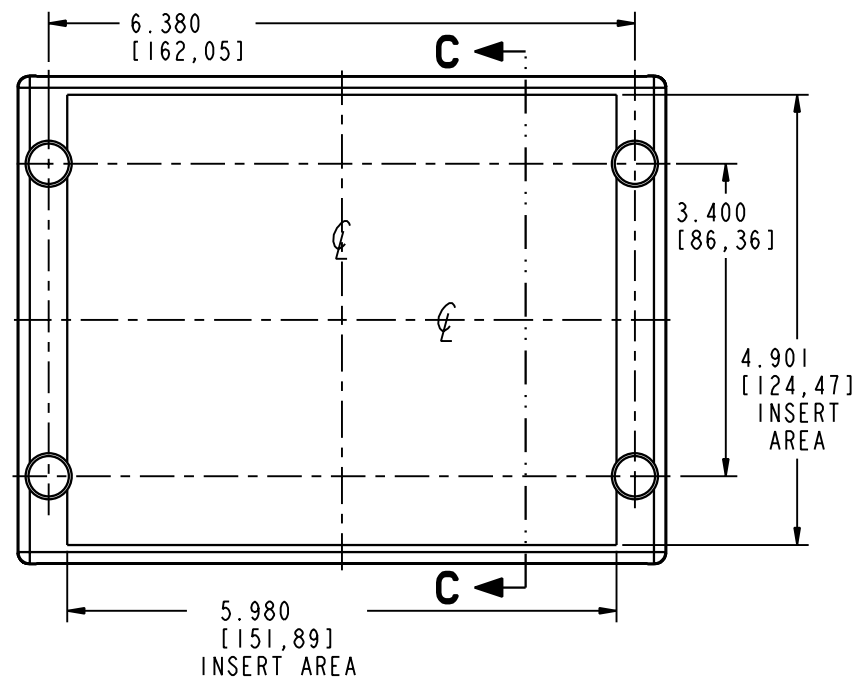
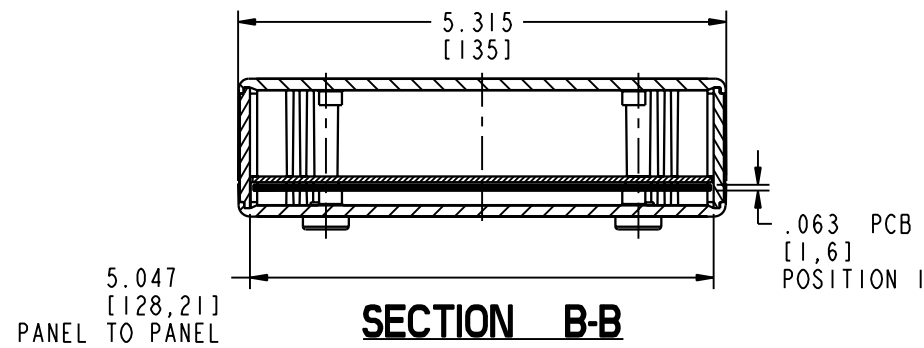
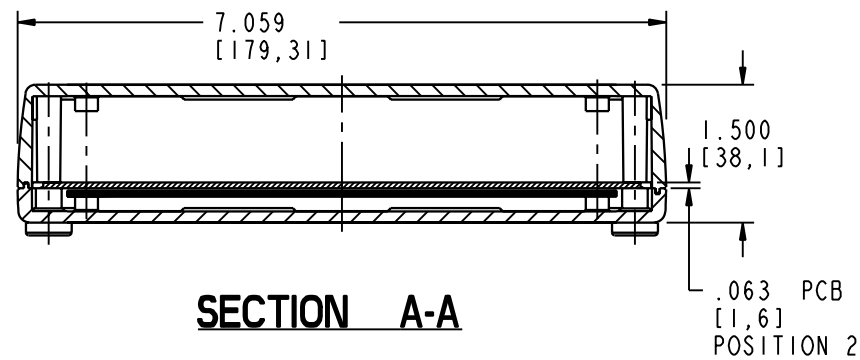
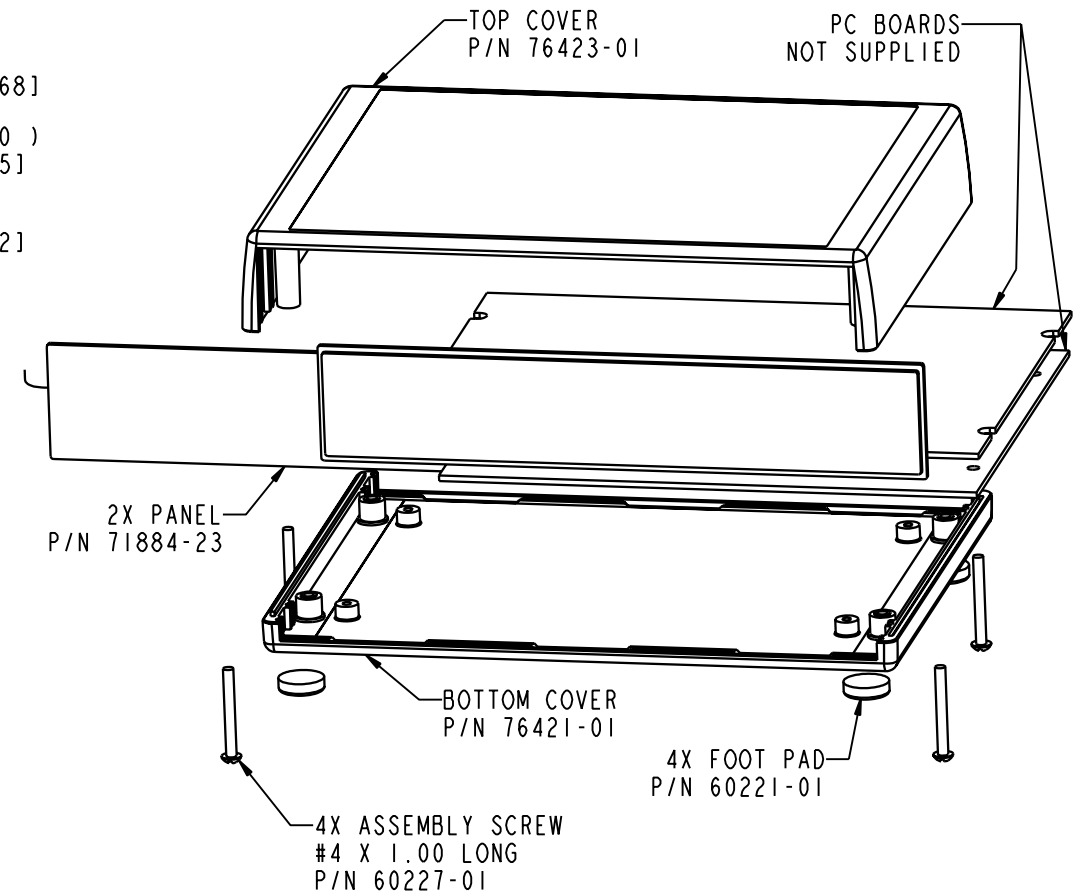


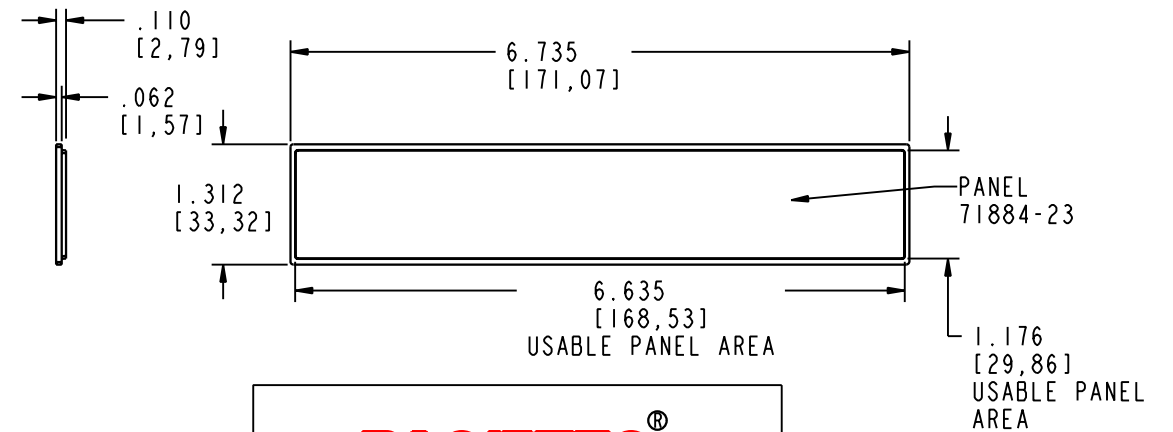
**POSITION NO. 1**  
RECOMMENDED PCB SIZE  
SCALE: 1/2



**POSITION NO. 2**  
RECOMMENDED PCB SIZE  
SCALE: 1/2



**SECTION C-C**



**PACNTEC**<sup>®</sup>  
1-610-361-4231

**LH75-130**

VISIT **PACNTEC**<sup>®</sup>  
ON THE WORLD WIDE WEB  
[www.pactecenclosures.com](http://www.pactecenclosures.com)

COLOR / MATERIAL CODE		
COLOR	94HB	94VO
BLACK	000	028
P. C. BONE	039	060

DRAWING NUMBER	REV
77222	E