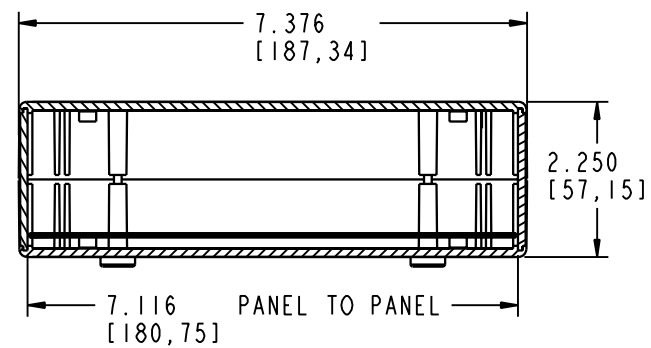
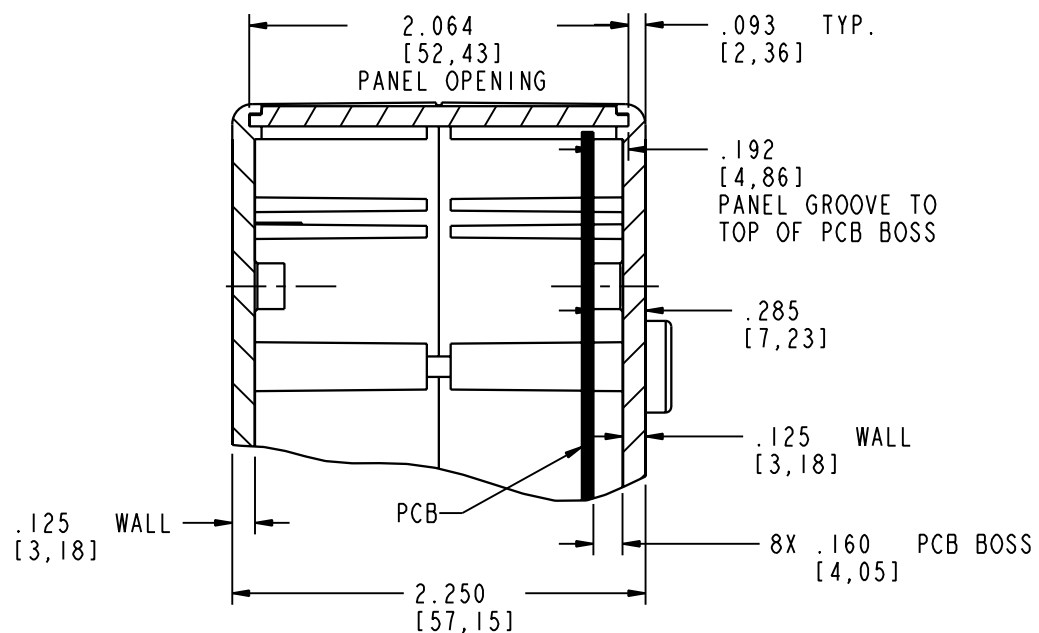
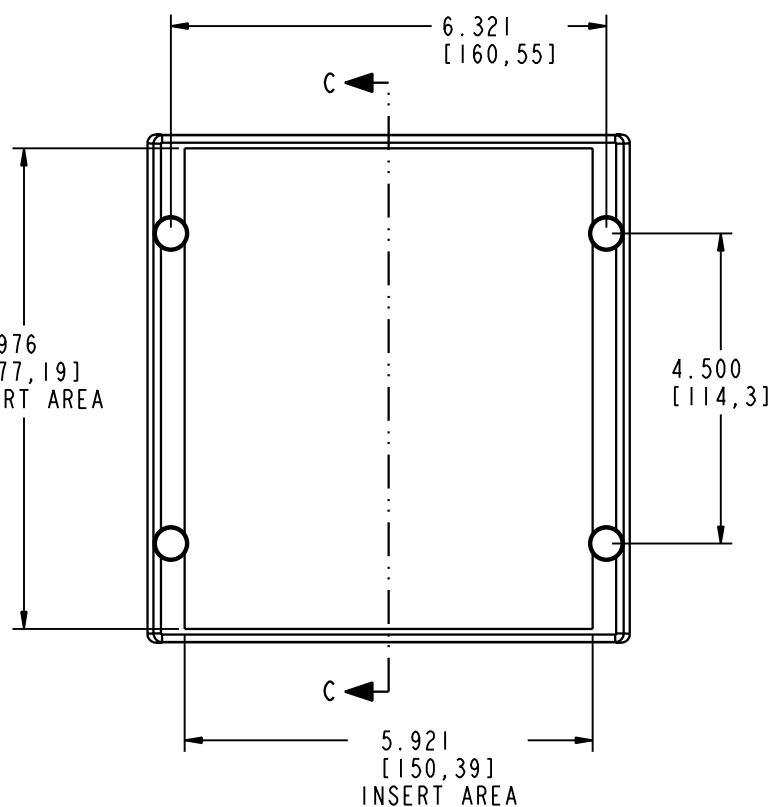
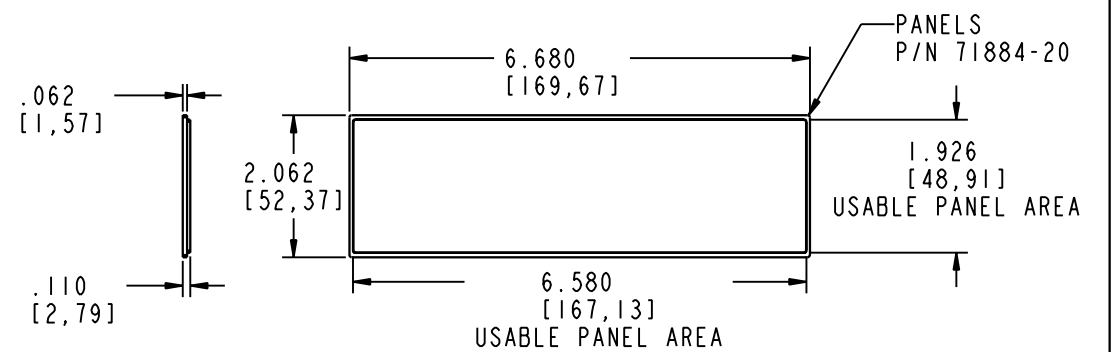


SECTION A-A



SECTION B-B



SECTION C-C

PACINTEC[®]
1-610-361-4231

LH77-200

VISIT **PACINTEC**[®]
ON THE WORLD WIDE WEB
www.pactecenclosures.com

COLOR / MATERIAL CODE		
COLOR	94HB	94VO
BLACK	000	028
P. C. BONE	039	060

DRAWING NUMBER	REV
77304	D