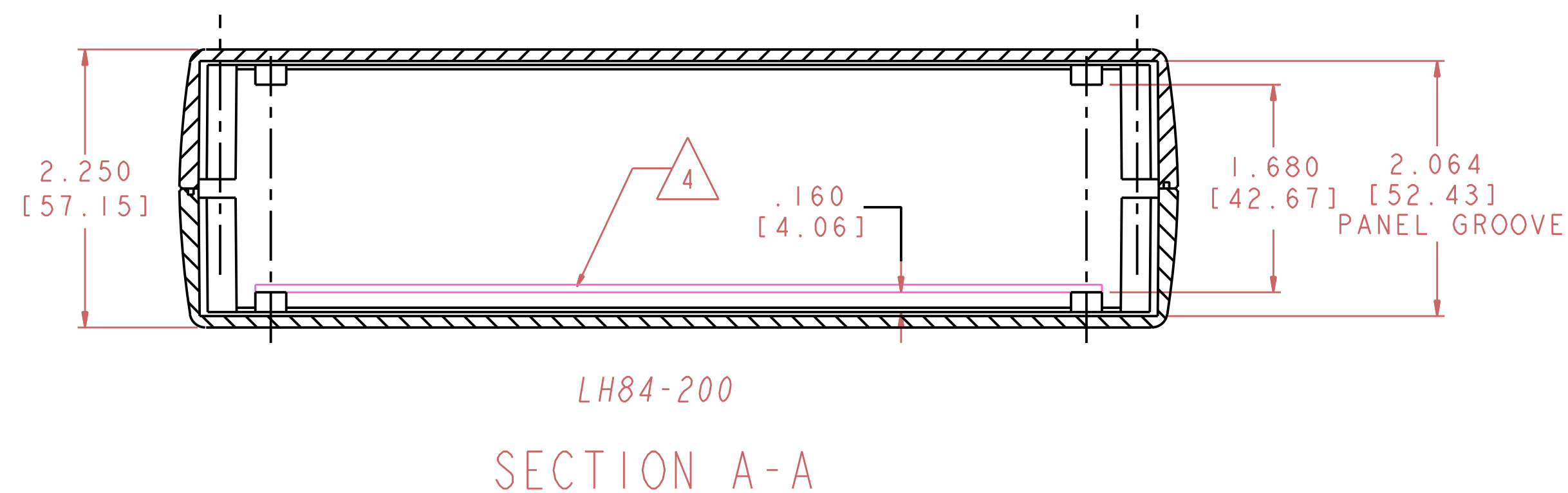
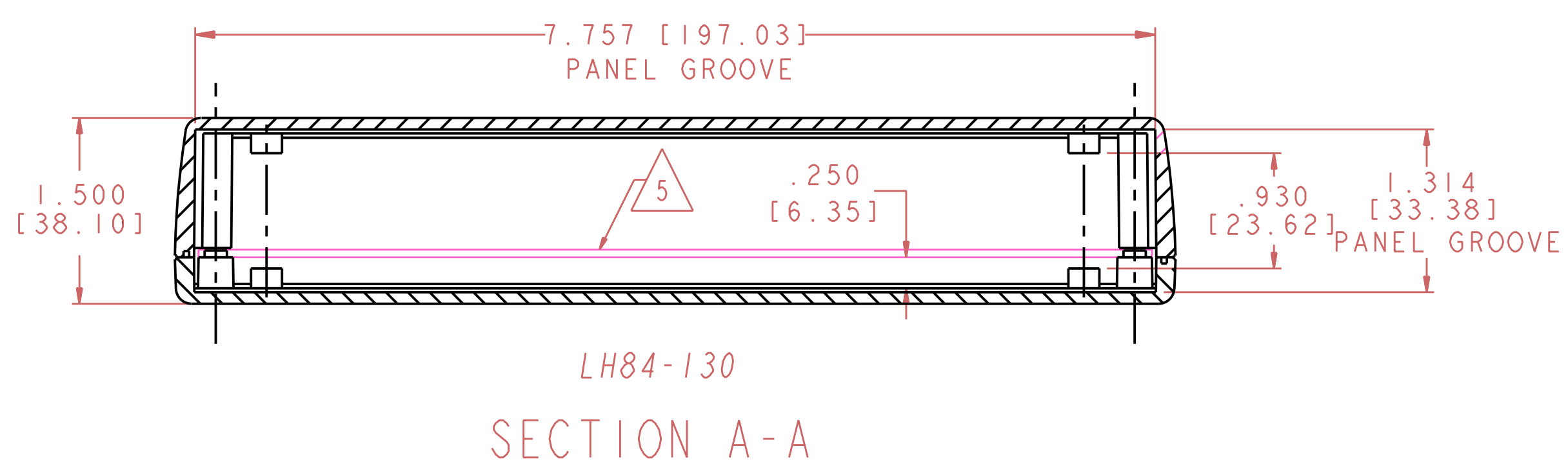


NOTES:

PANEL SIZE: (FRONT AND REAR)  
 LH84-130 1.307±.005 [33.20±0.13] H X 7.755±.005 [196.98±0.13] W X .062±.005 [1.57±0.13] THK., IN PANEL GROOVE AREA.  
 LH84-200 2.057±.005 [53.25±0.13] H X 7.755±.005 [196.98±0.13] W X .062±.005 [1.57±0.13] THK., IN PANEL GROOVE AREA.

- (1) EXTERIOR INSERT AREA, FOR IN MOLD MODIFICATION. TYPICAL ON TOP AND BOTTOM COVERS.
- (2) INTERIOR INSERT AREA, FOR IN MOLD MODIFICATION. TYPICAL ON TOP AND BOTTOM COVERS.
- (3) USABLE PANEL AREA.
- (4) P.C. CARD  $3.950$  [100.33] L X  $7.000$  [177.80] W  $.062±.005$  [1.57±0.13] THK.
- (5) P.C. CARD  $3.950$  [100.33] L X  $7.700$  [195.58] W  $.062±.005$  [1.57±0.13] THK.



**PACNTEC®**

LH84-130 & LH84-200

www.pactecenclosures.com

1-610-361-4231