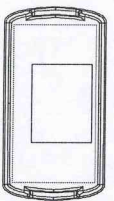


REVISIONS

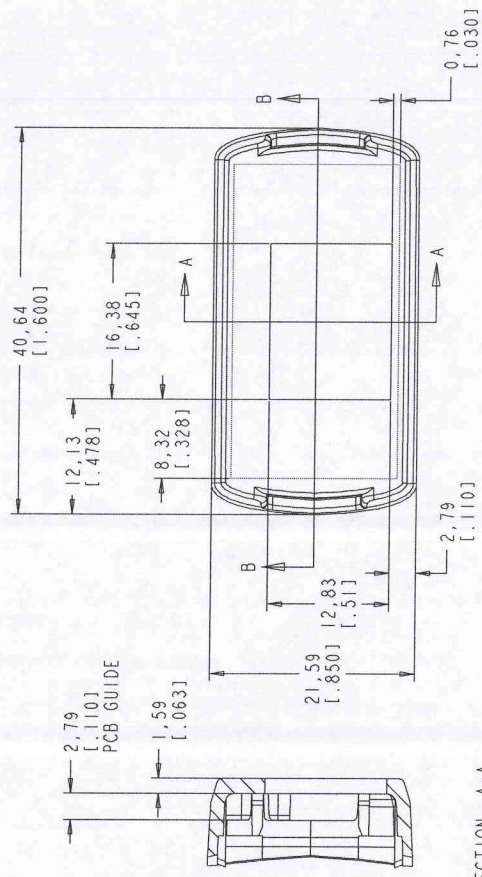
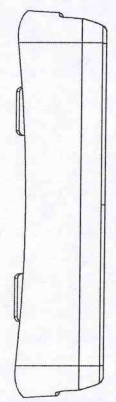
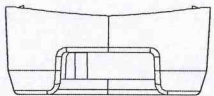
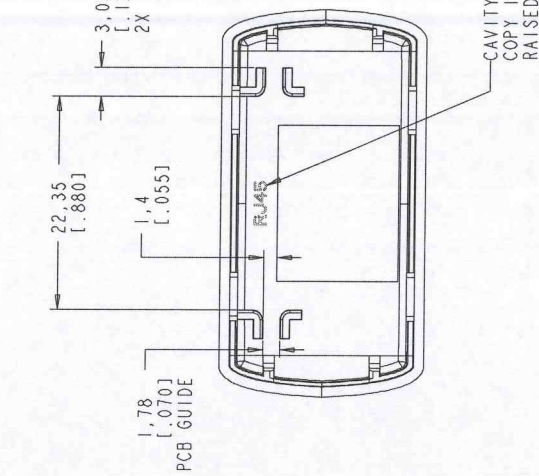
LET	ECN	DESCRIPTION	DATE	INT
01		INITIAL RELEASE	04-08-12	Janves
02		ADDED CAVITY ID	05-22-12	JMM



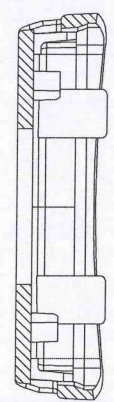
SCALE 1/1

NOTES:

- FOR LIST OF MATERIAL SEE:
PL 1151126-501, 115127-501
- UNLESS OTHERWISE SPECIFIED:
CORNERS SHOWN SHARP HAVE
A RADIUS OF .01.
- NO KNOCKOUTS, GATES OR FLASH
ON THE EXTERIOR SURFACES.
- FLASH PERMISSIBLE WITHIN .005 INCH.
- KNOCKOUTS FLUSH TO .005 BELOW SURFACE.
- TEXTURE: EDM #33
- INTERIOR FINISH: SPI C3 OR BETTER
- FOR ALL OTHER DIMENSIONS,
SEE DRAWING: 115119-01



SECTION A-A



SECTION B-B

PACNTEC
 Subsidiary of LaFrance Corp.

One LaFrance way, Concordville, Pa. 19332-5002 U.S.A.

NAME	DATE
Janves	04-08-12
DRAWN:	
Ted	04-08-12
CHECK:	
JMM	04-23-12
APPROVE:	

CNR SERIES
 END CAP, RJ45

PROCESS: INJ MOLDED
 SCALE: 2:1
 SHEET 1 OF 1

PART #
 115123-01
 DRAWING NUMBER
 115123-01
 REV
 02

MATERIAL:
 COLOR: SEE PARTS LIST
 CLASS: