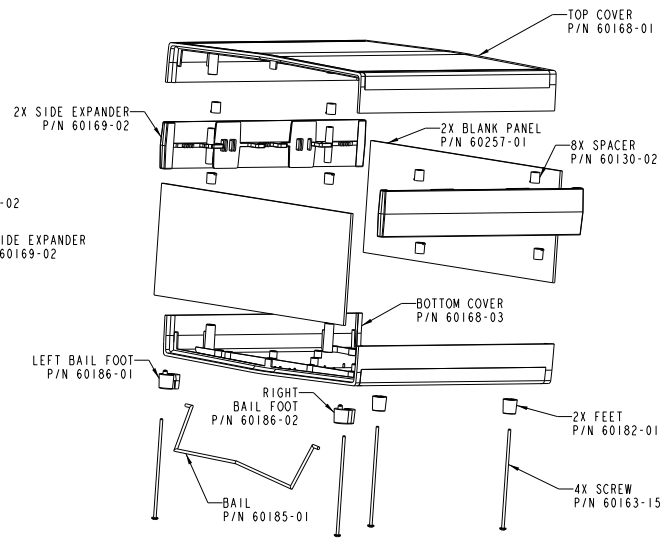
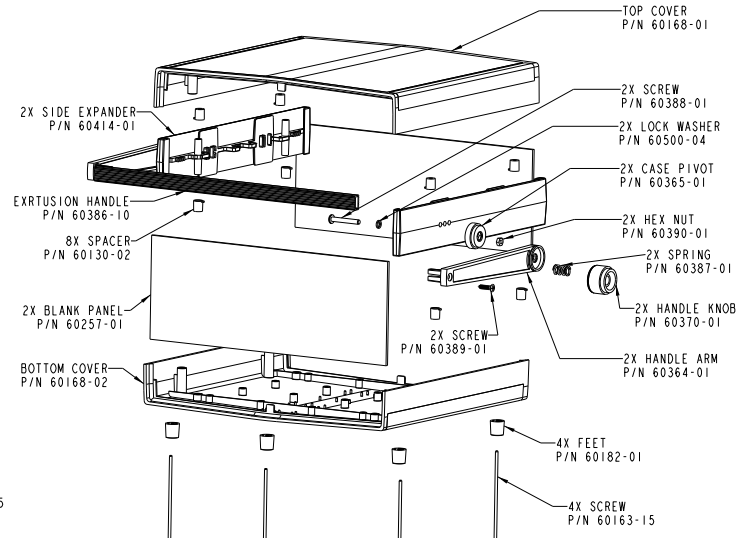


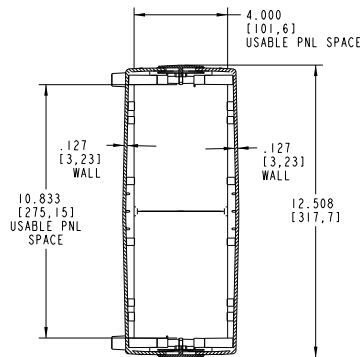
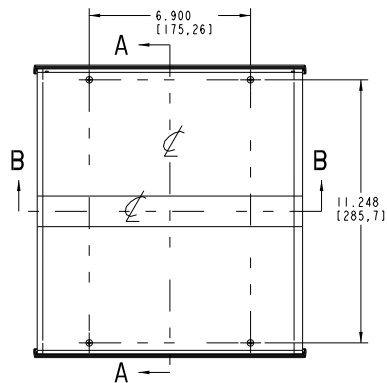
CL-450



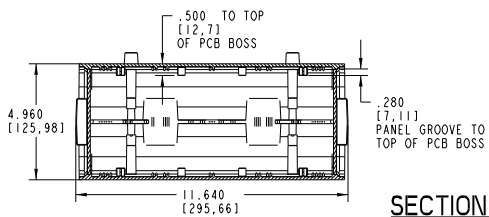
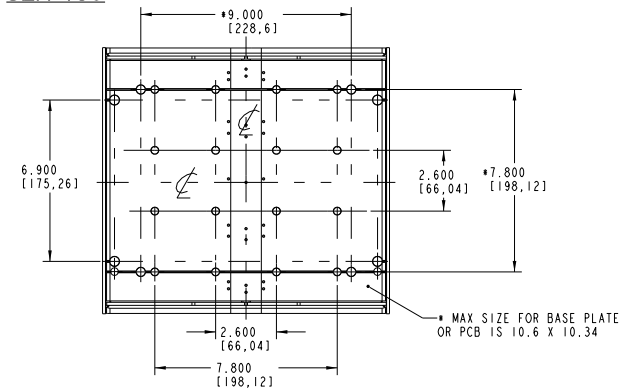
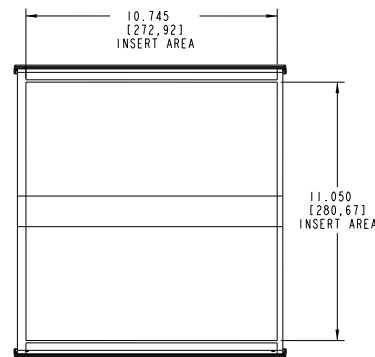
CLB-450



CLH-450



SECTION A-A



SECTION B-B

PACINTEC®
1-610-361-4200

**CL-450, CLB-450
CLH-450**

COLOR / MATERIAL CODE		
COLOR	94HB	94VO
BLACK	000	028
P.C.BONE	039	060

VISIT **PACINTEC®**
ON THE WORLD WIDE WEB
www.pactecenclosures.com

DRAWING NUMBER	REV
60171	B