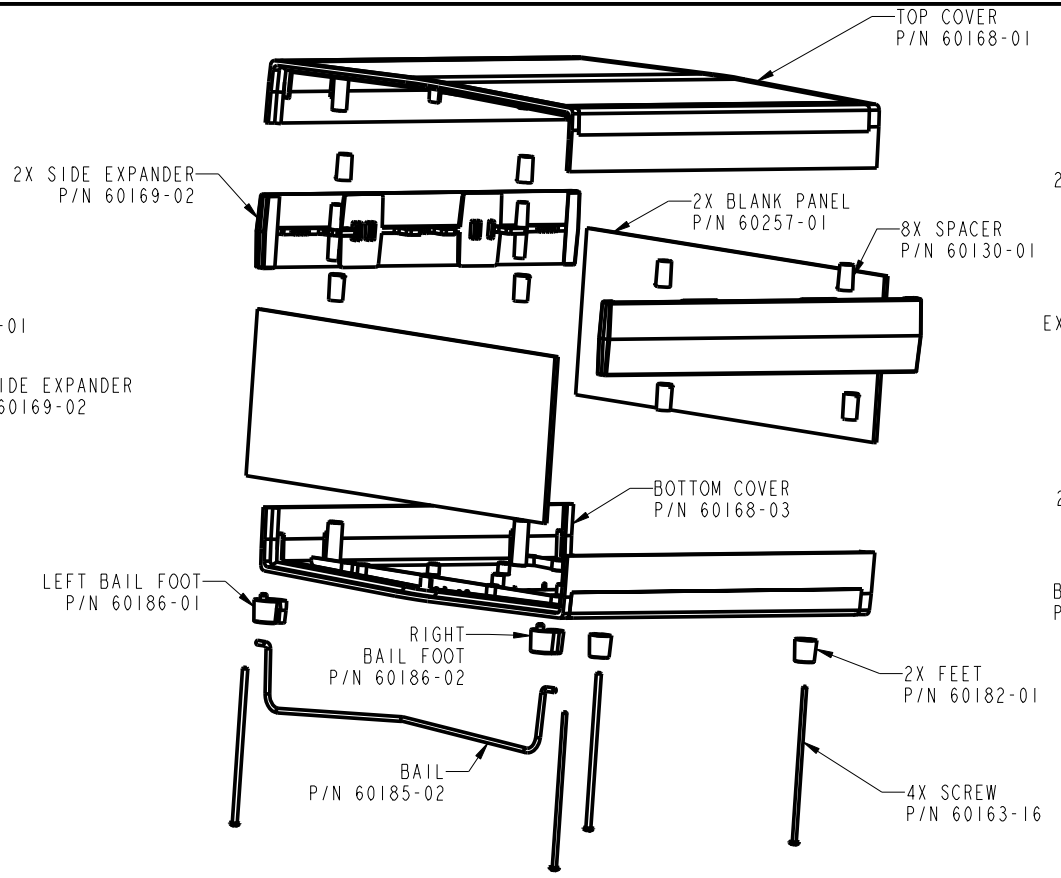
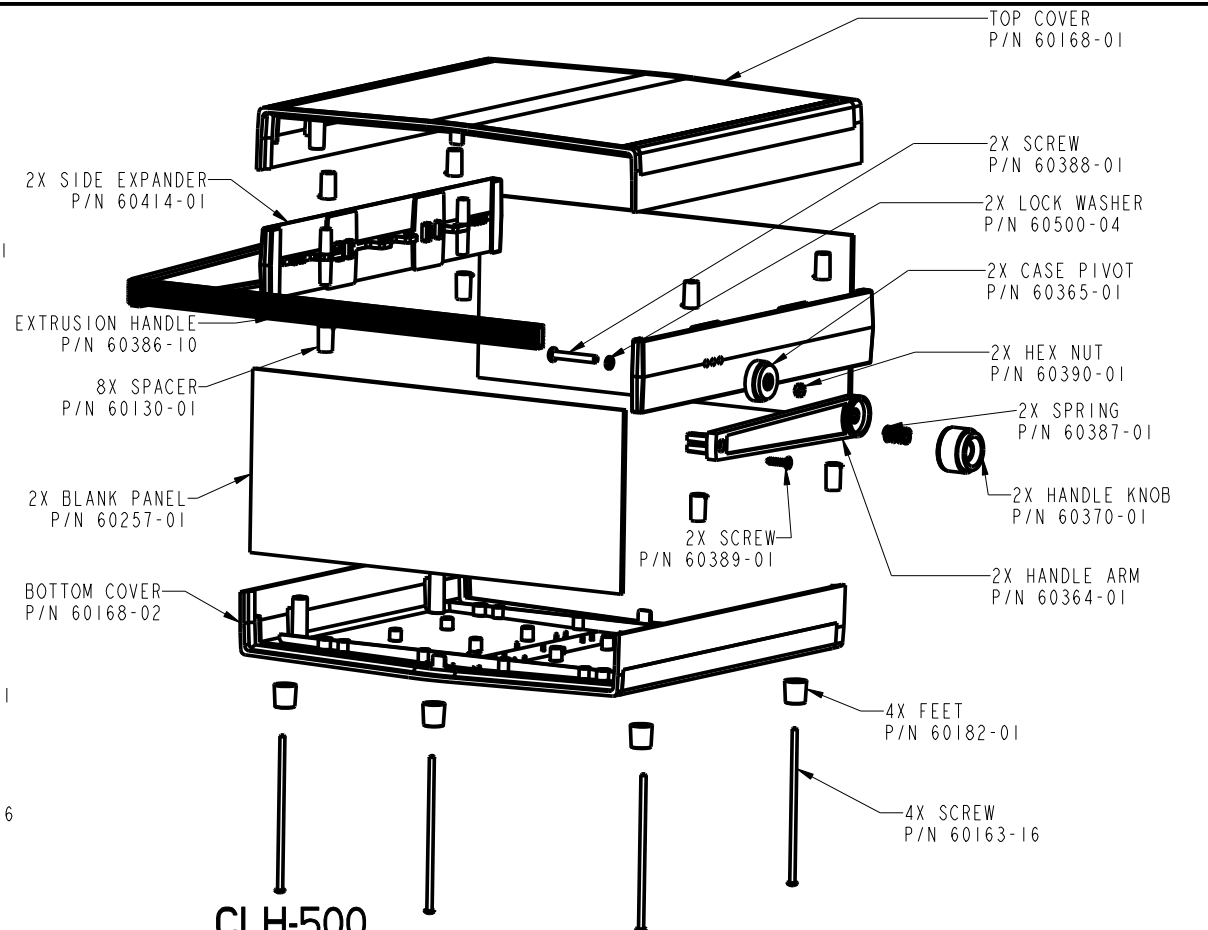


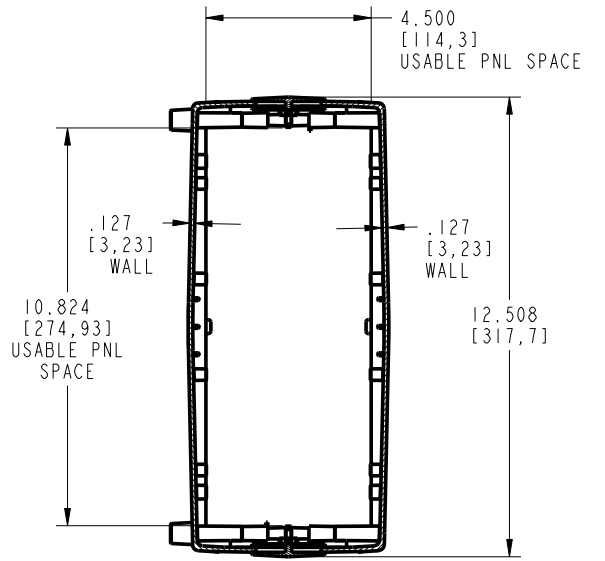
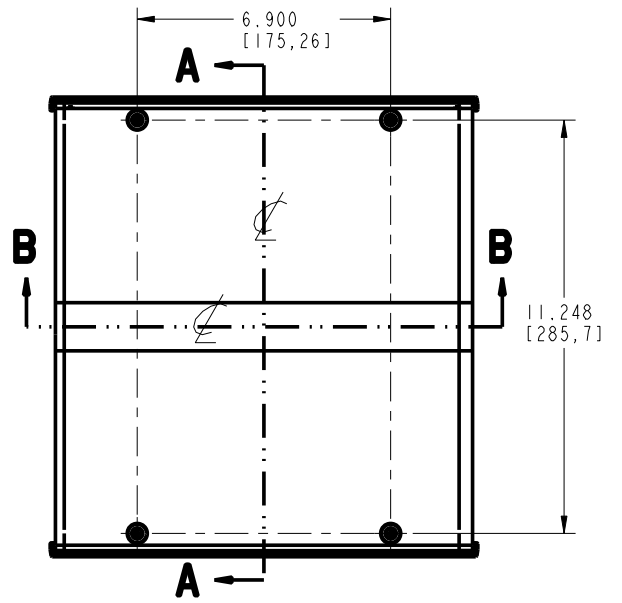
CL-500



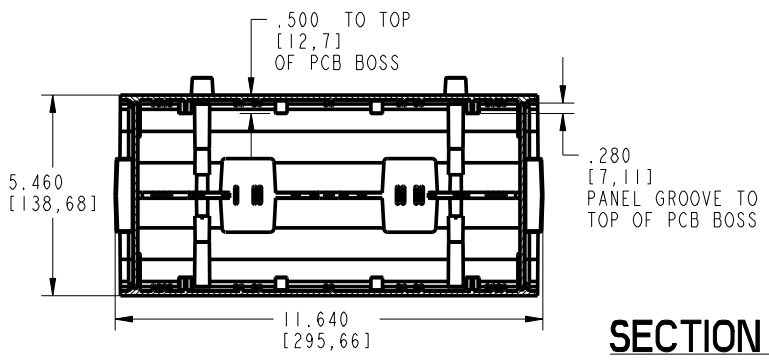
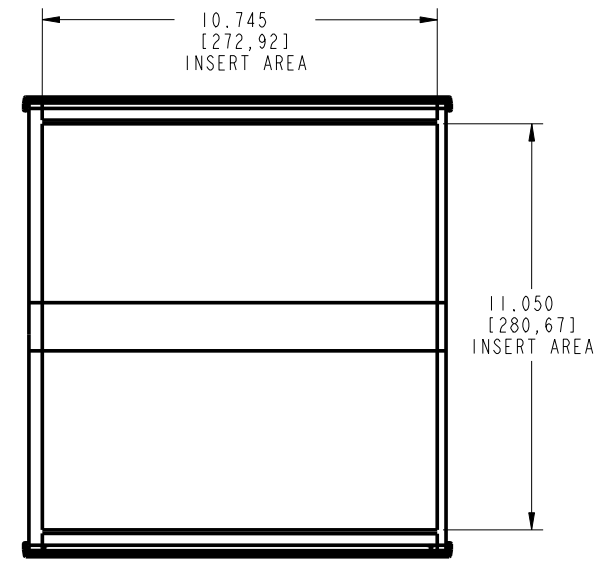
CLB-500



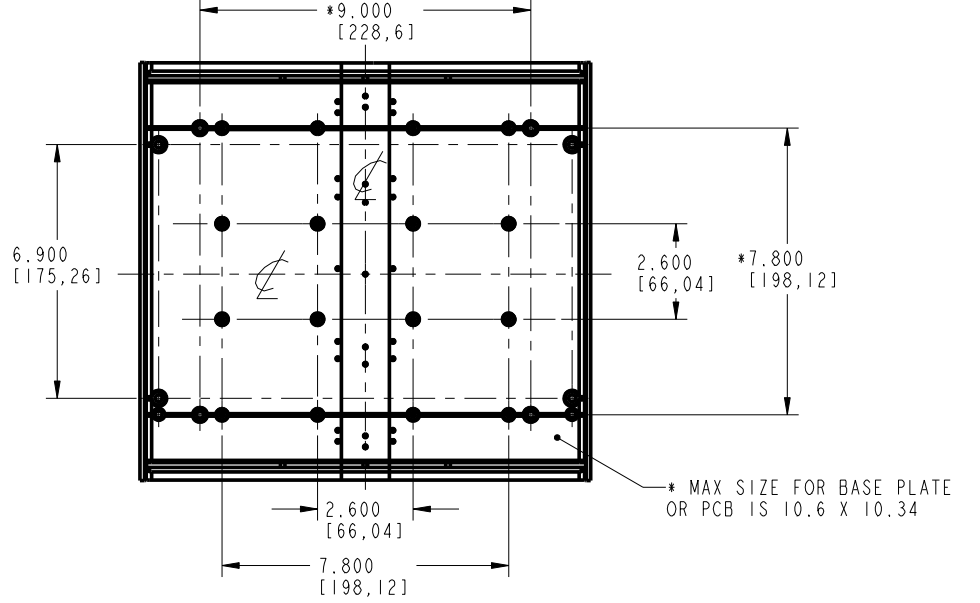
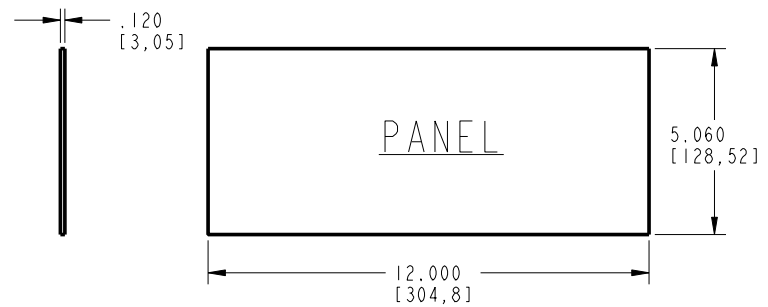
CLH-500



SECTION A-A



SECTION B-B



**PACNTEC**<sup>®</sup>  
1-610-361-4231

**CL-500, CLB-500  
CLH-500**

VISIT **PACNTEC**<sup>®</sup>  
ON THE WORLD WIDE WEB  
[www.pactecenclosures.com](http://www.pactecenclosures.com)

INSERT AREAS ARE SECTIONS IN OUR TOOLS THAT CAN BE REMOVED AND REPLACED WITH CUSTOMER SPECIFIC DETAILS

DRAWING NUMBER	REV
79519	B