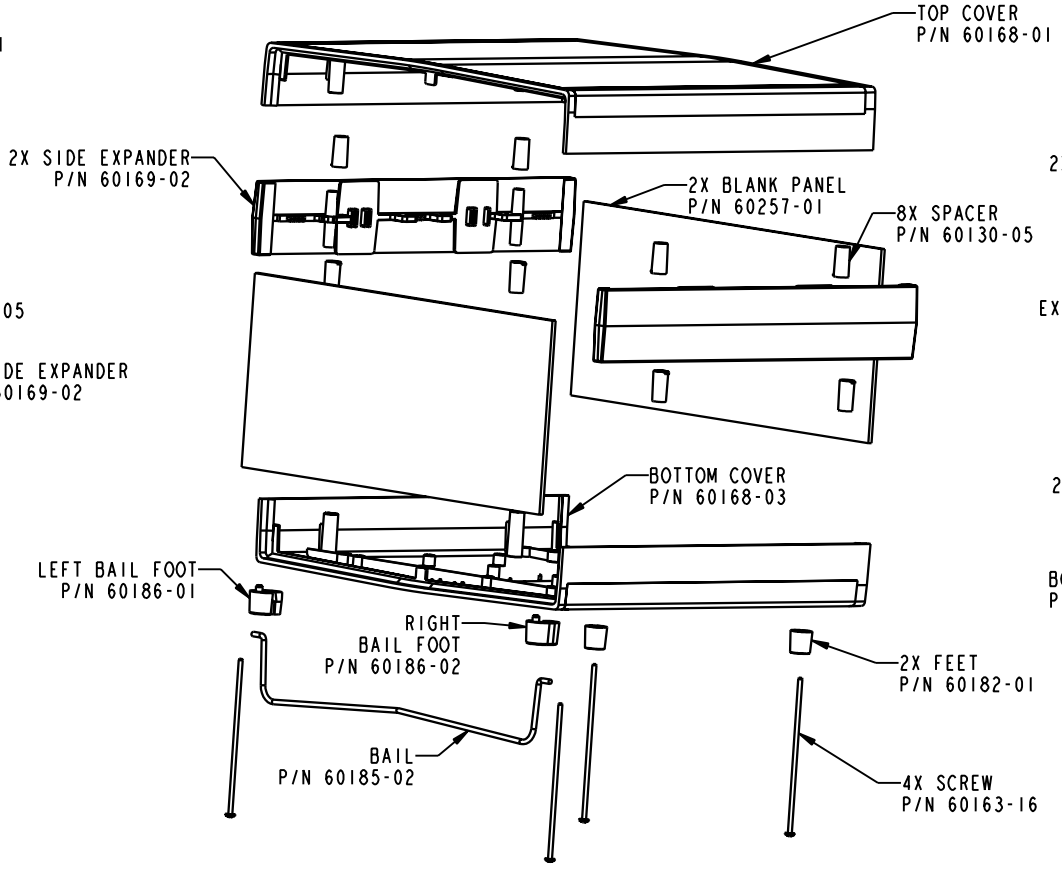
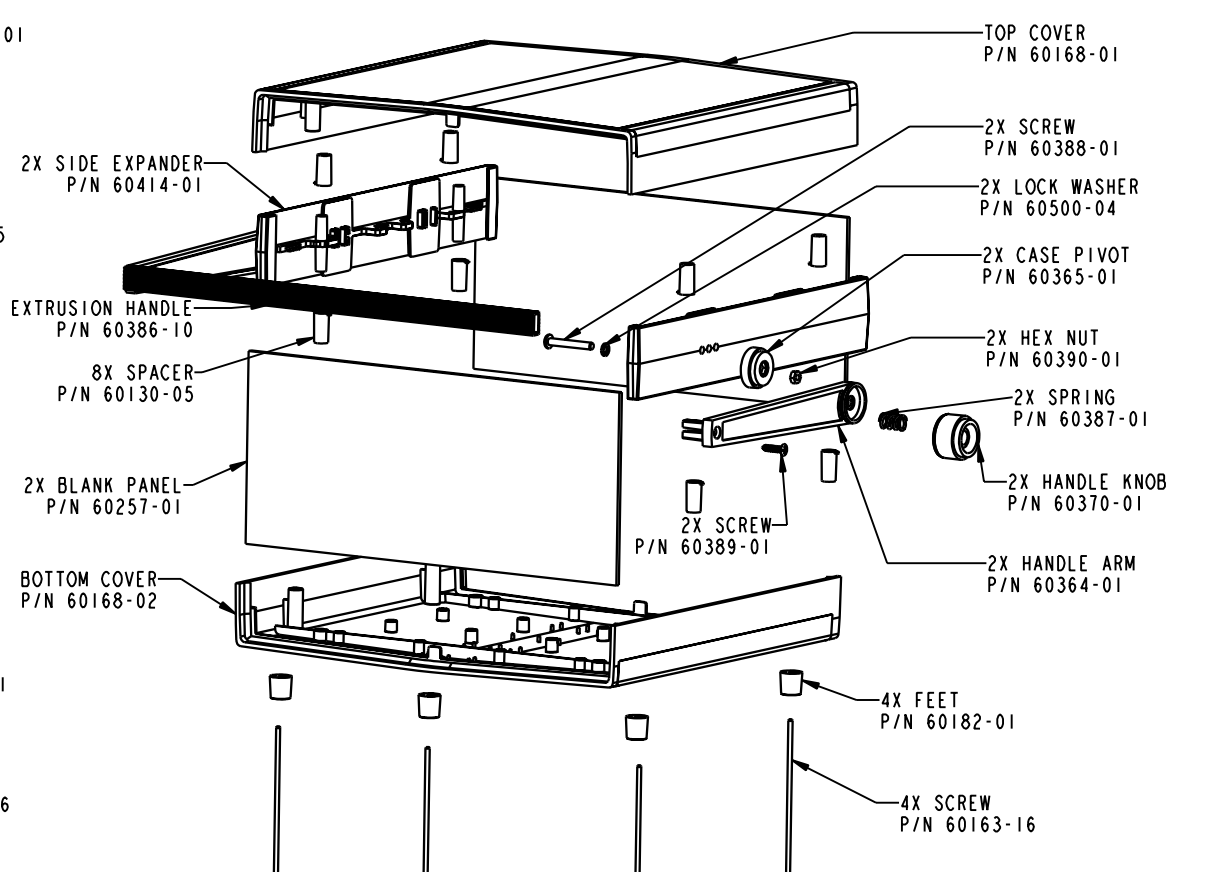


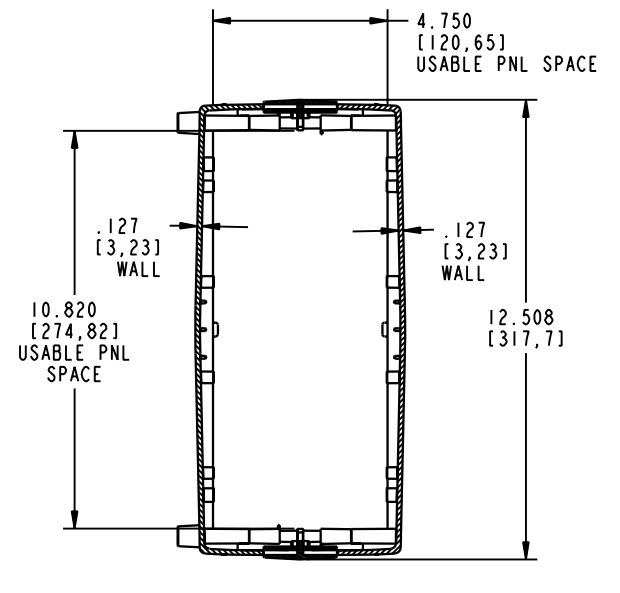
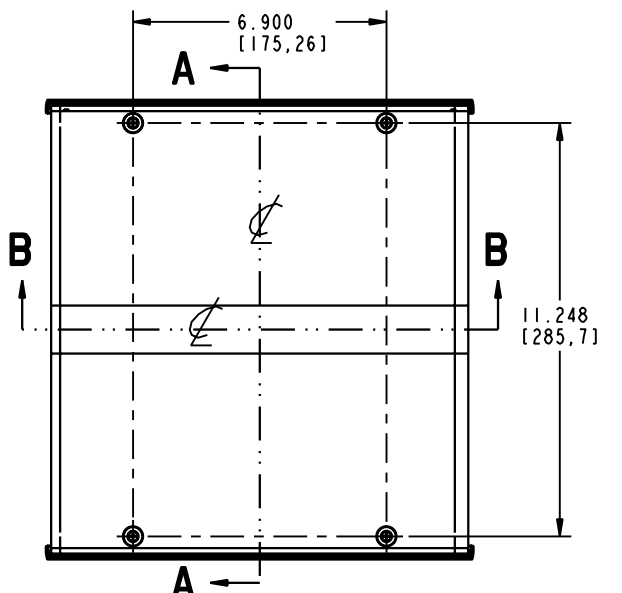
CL-525



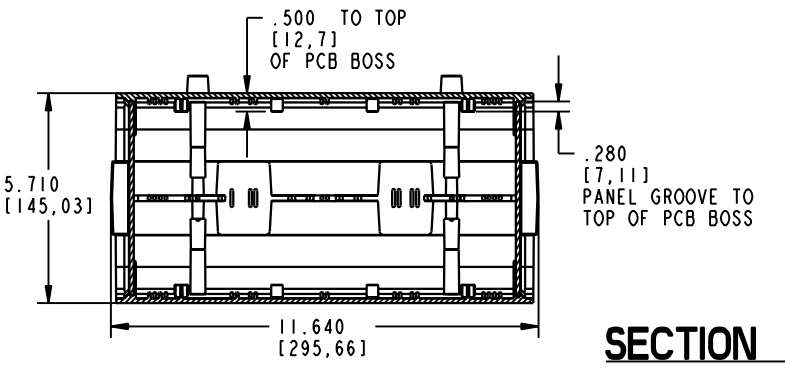
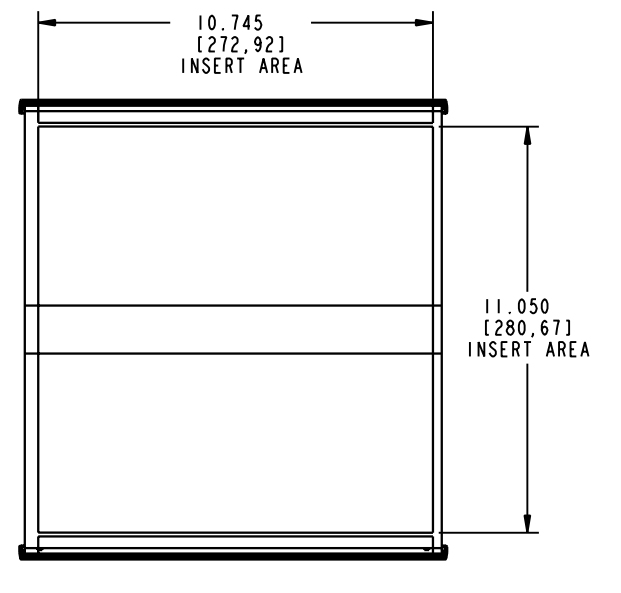
CLB-525



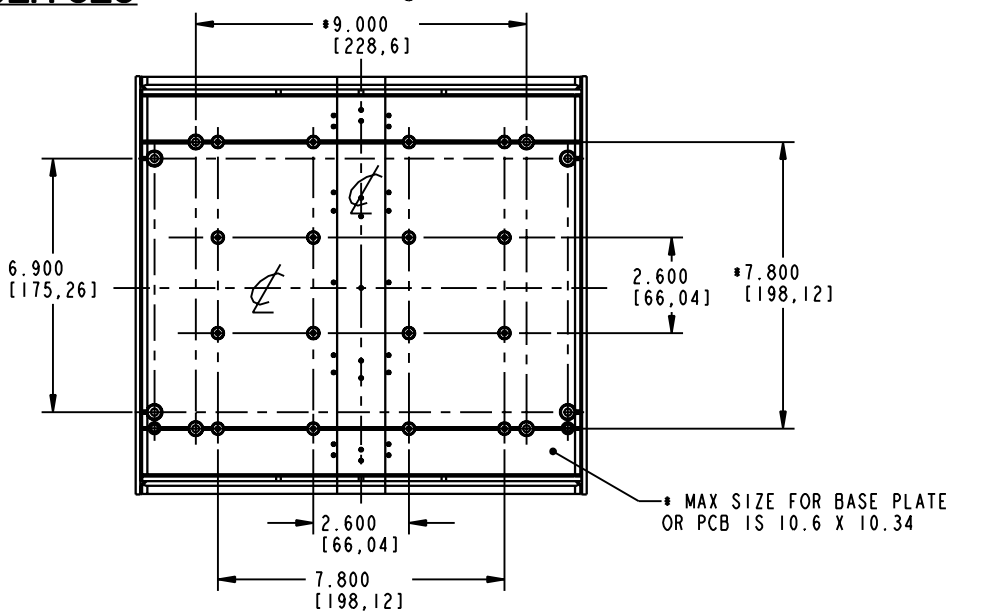
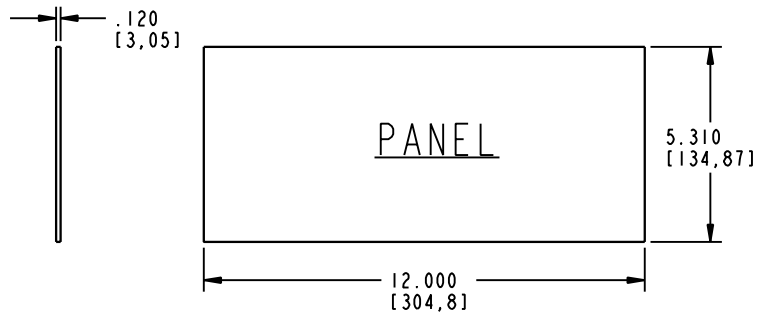
CLH-525



SECTION A-A



SECTION B-B



PACNTEC[®]
1-610-361-4200

**CL-525, CLB-525
CLH-525**

VISIT **PACNTEC**[®]
ON THE WORLD WIDE WEB
www.pactecenclosures.com

COLOR / MATERIAL CODE		
COLOR	94HB	94VO
BLACK	000	028
P. C. BONE	039	060

DRAWING NUMBER	REV
79520	B