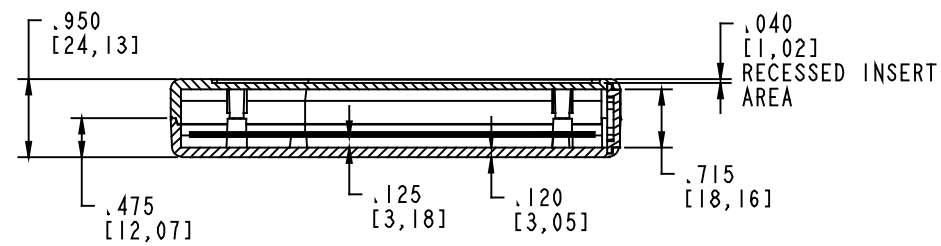
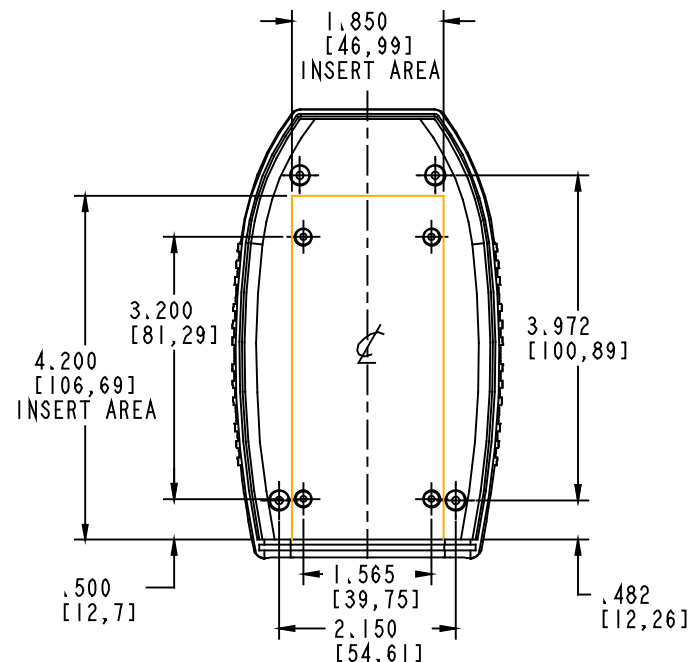


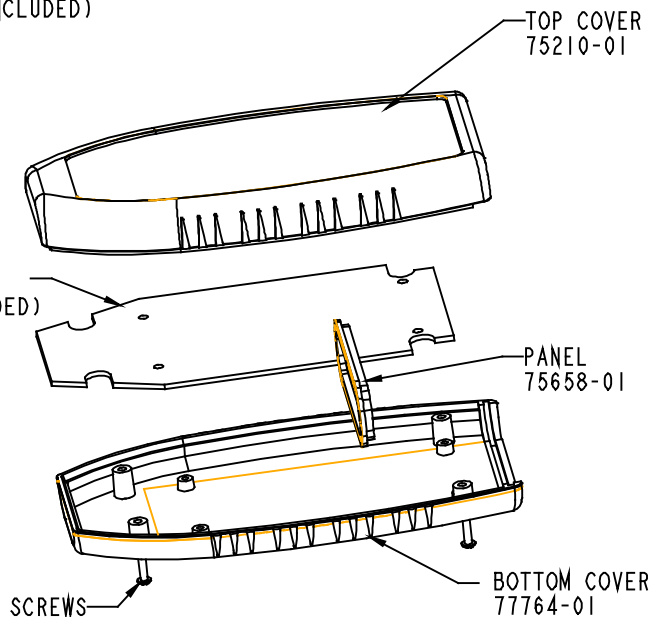
MAX. RECOMMENDED
PC BOARD SIZE
(NOT INCLUDED)



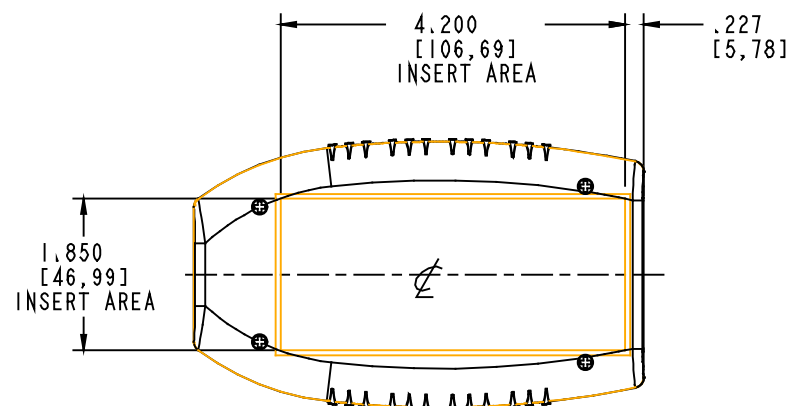
SECTION A-A



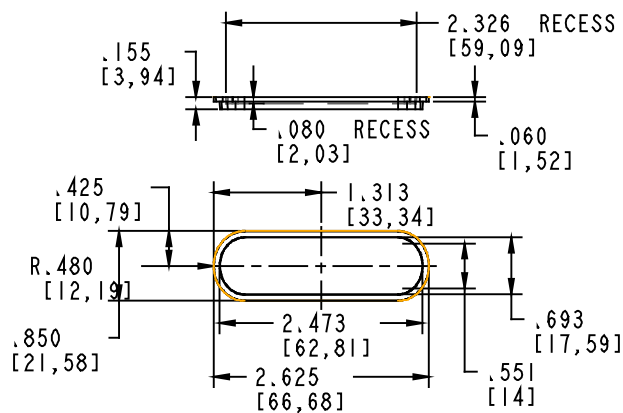
BOTTOM COVER - INTERIOR VIEW



4X ASSEMBLY SCREWS
#2 X 11/16" PAN HEAD
60228-02



BOTTOM COVER - EXTERIOR VIEW



PACITEC[®]
1-610-361-4200

HRP

VISIT **PACITEC**[®]
ON THE WORLD WIDE WEB
www.pactecenclosures.com

COLOR / MATERIAL CODE		
COLOR	94HB	94VO
BLACK	000	028
P.C.BONE	039	060

DRAWING NUMBER	REV
80072	C