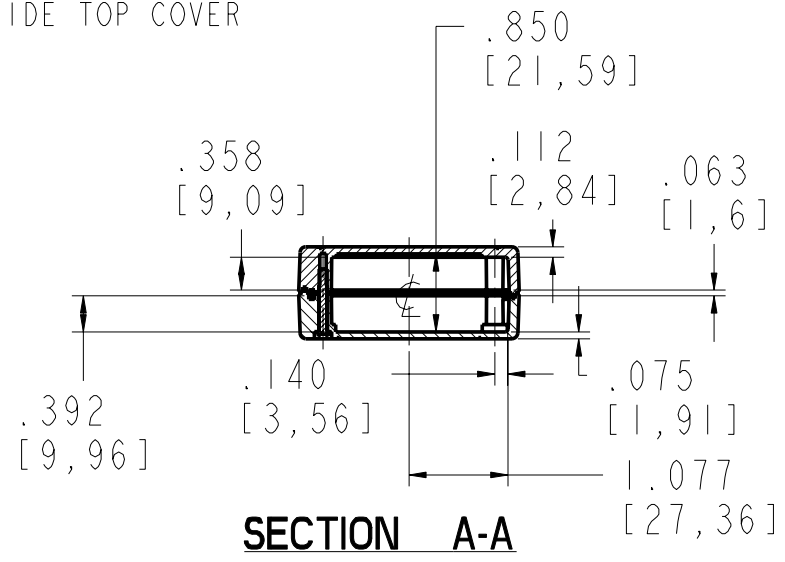
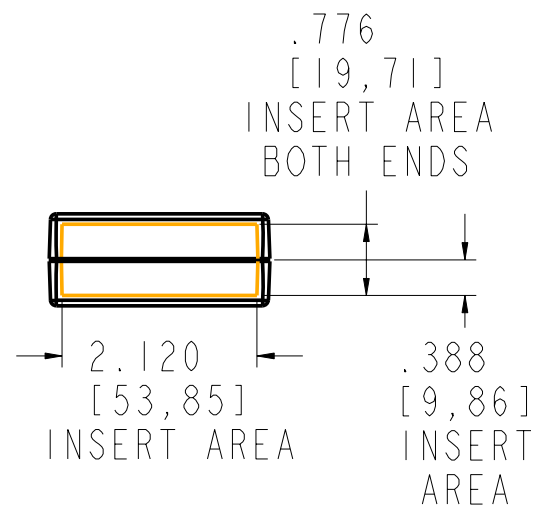
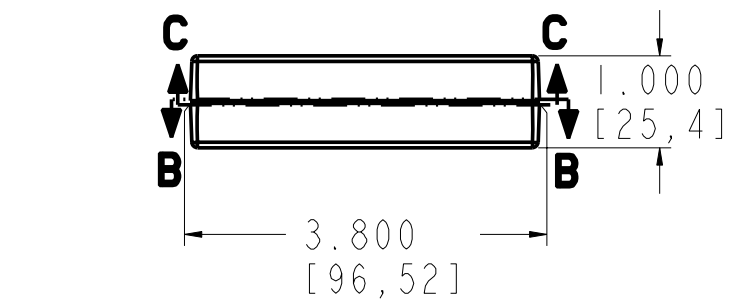
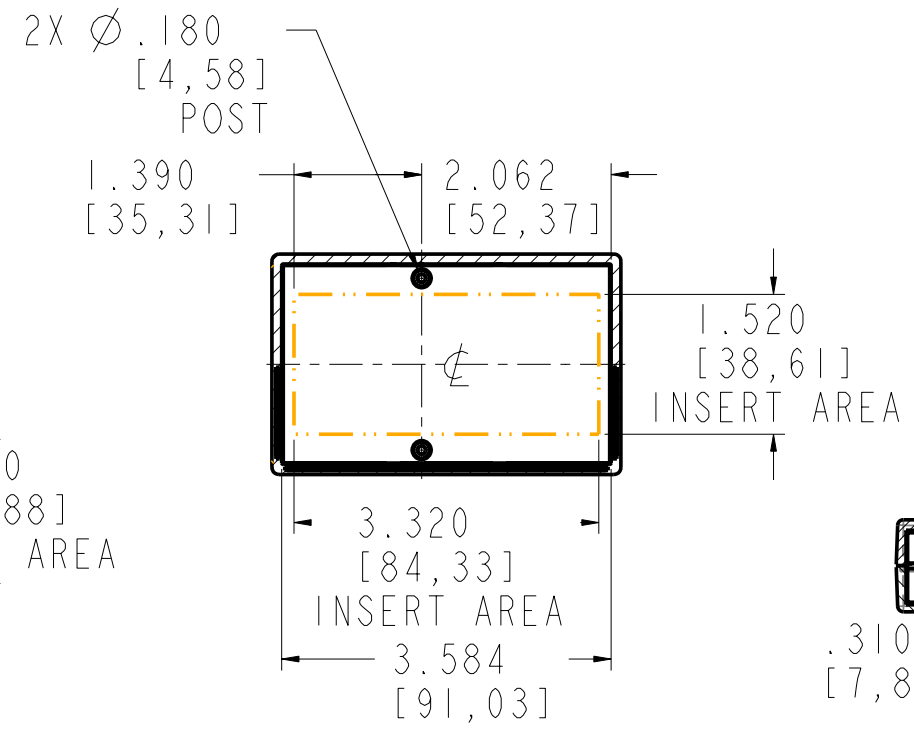
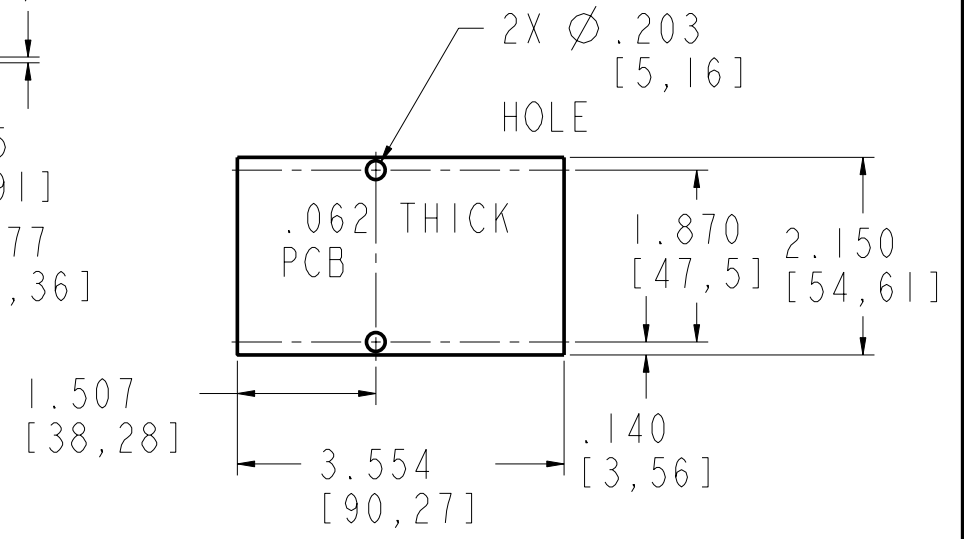


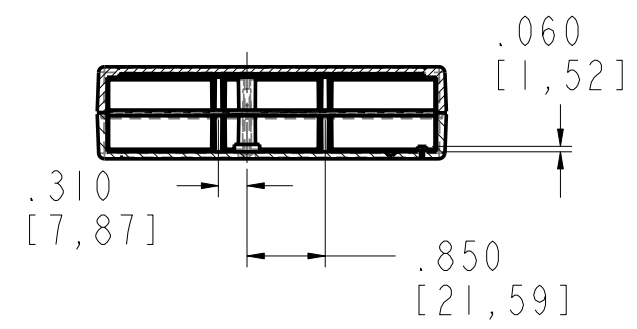
SECTION C-C
INSIDE TOP COVER



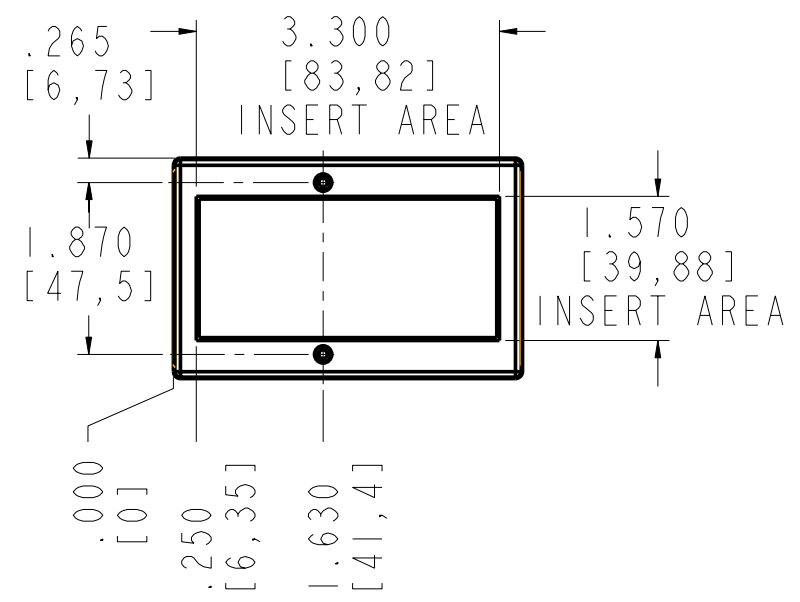
SECTION A-A



SECTION B-B
INSIDE BOTTOM COVER



SECTION D-D



1. PC BOARD IS TRAPPED BETWEEN THE TOP AND BOTTOM COVER .

PACNTEC[®]
1-610-361-4231

JM24

VISIT **PACNTEC**[®]
ON THE WORLD WIDE WEB
www.pactecenclosures.com

COLOR / MATERIAL / CODE		
COLOR	94HB	94V-0
BLACK	000	028
PC BONE	039	060

INSERT AREAS ARE SECTIONS IN OUR TOOLS THAT CAN BE REMOVED AND REPLACED WITH CUSTOMER SPECIFIC DETAILS

DRAWING NUMBER	REV
71033	C