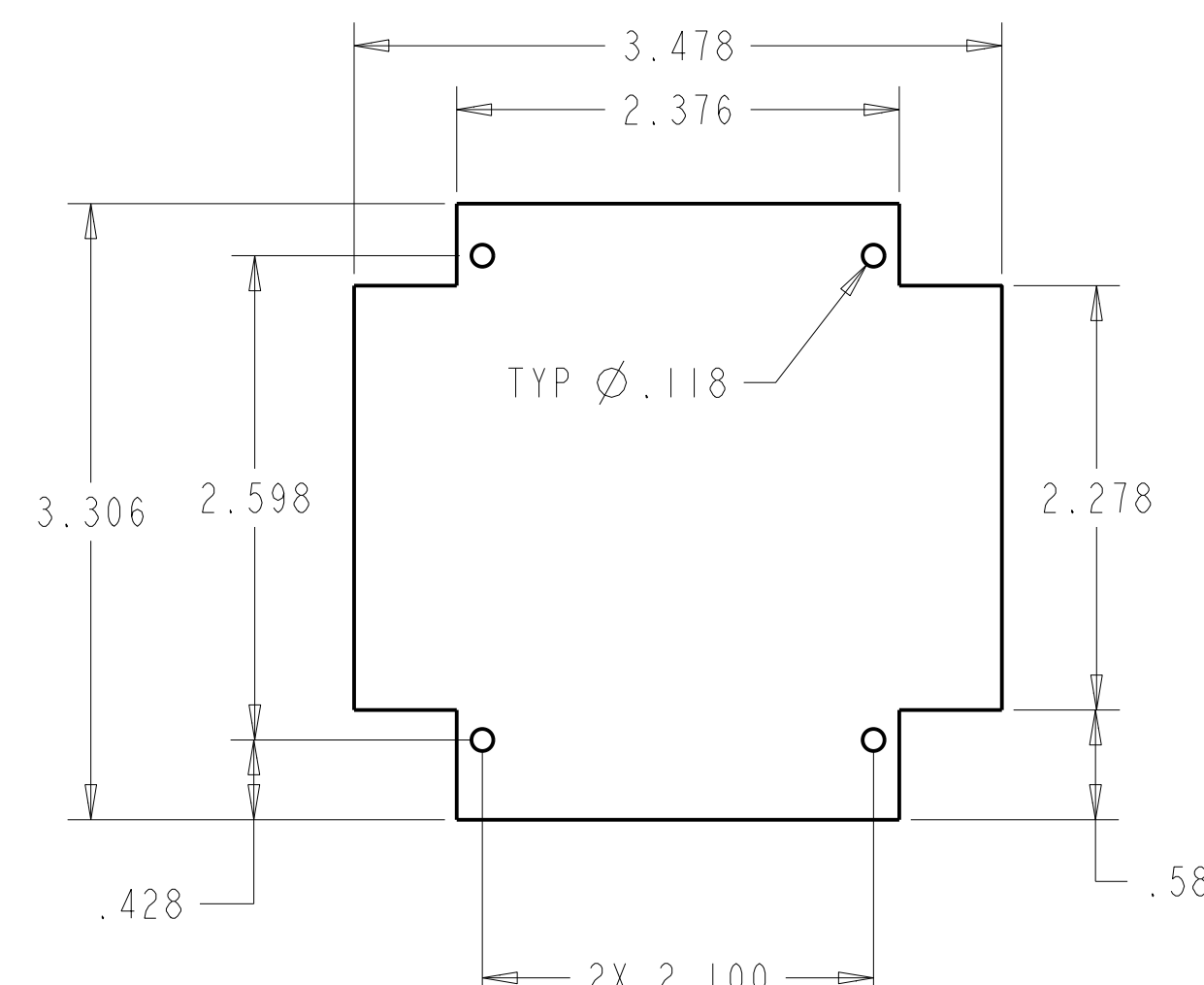
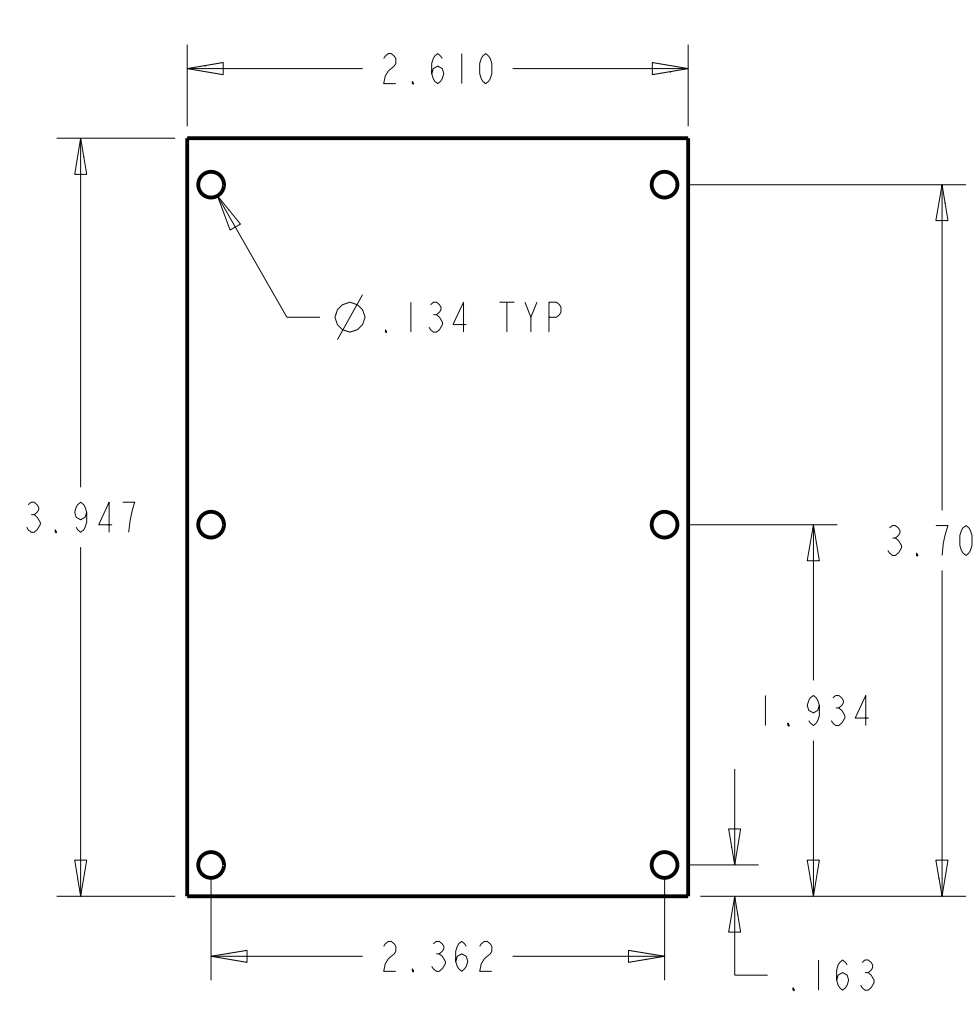


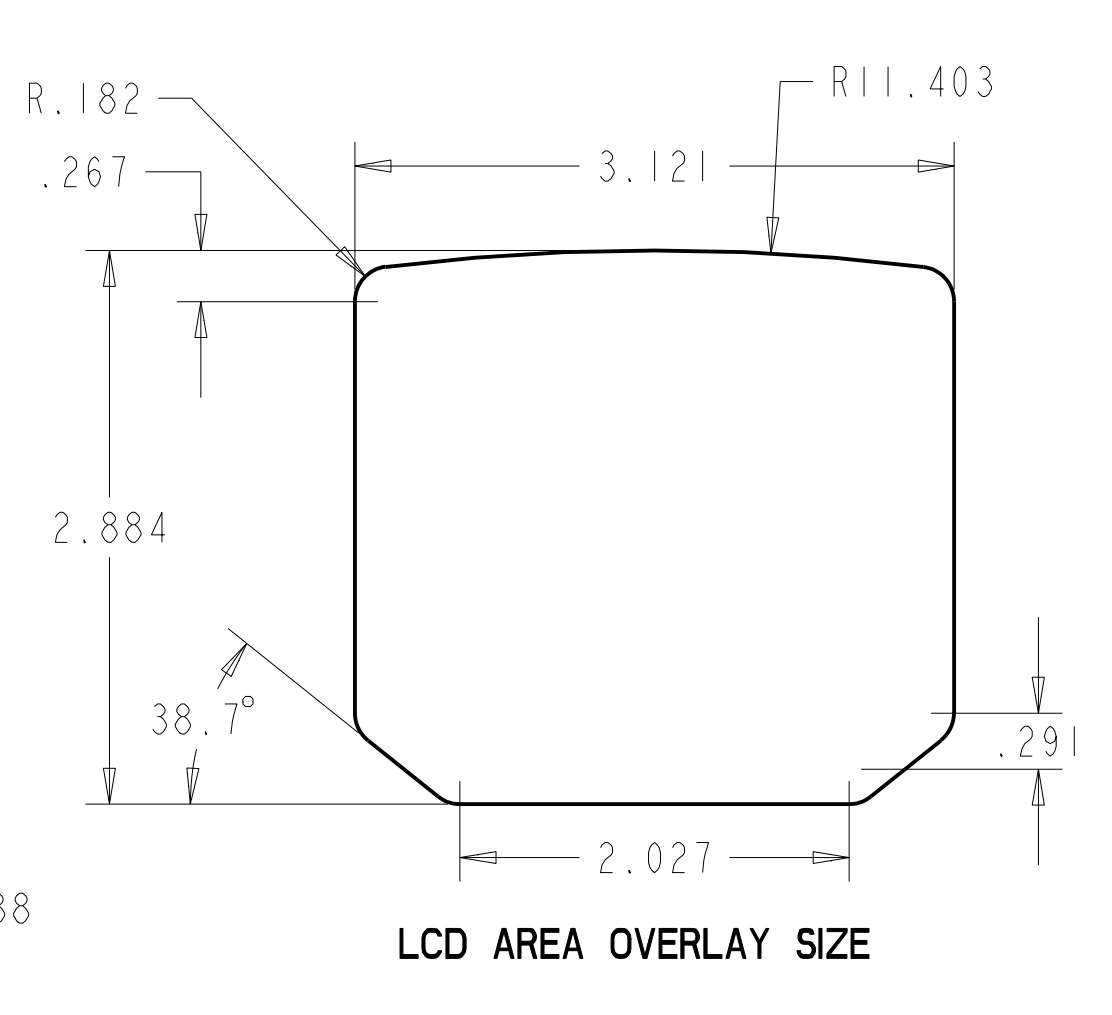
FULL UNIT ASSEMBLY VIEWS



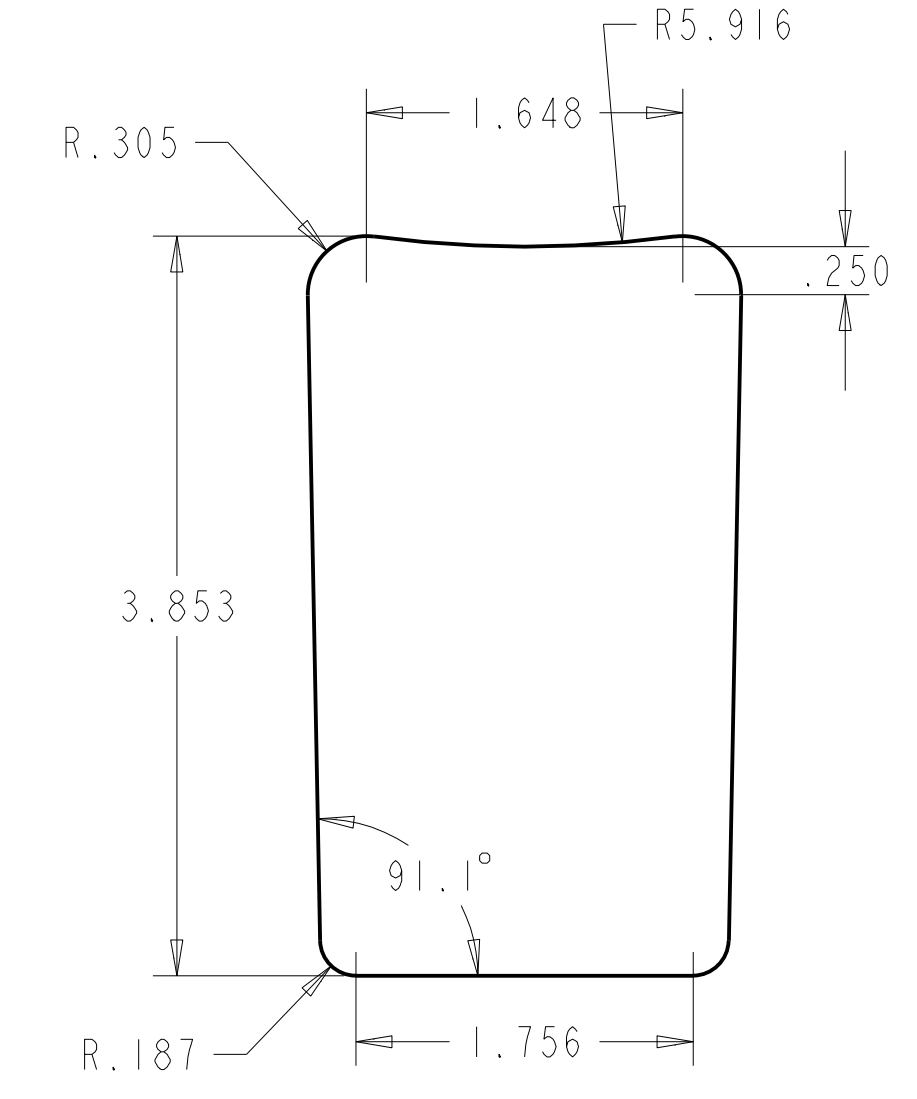
TOP COVER LCD AREA PCB



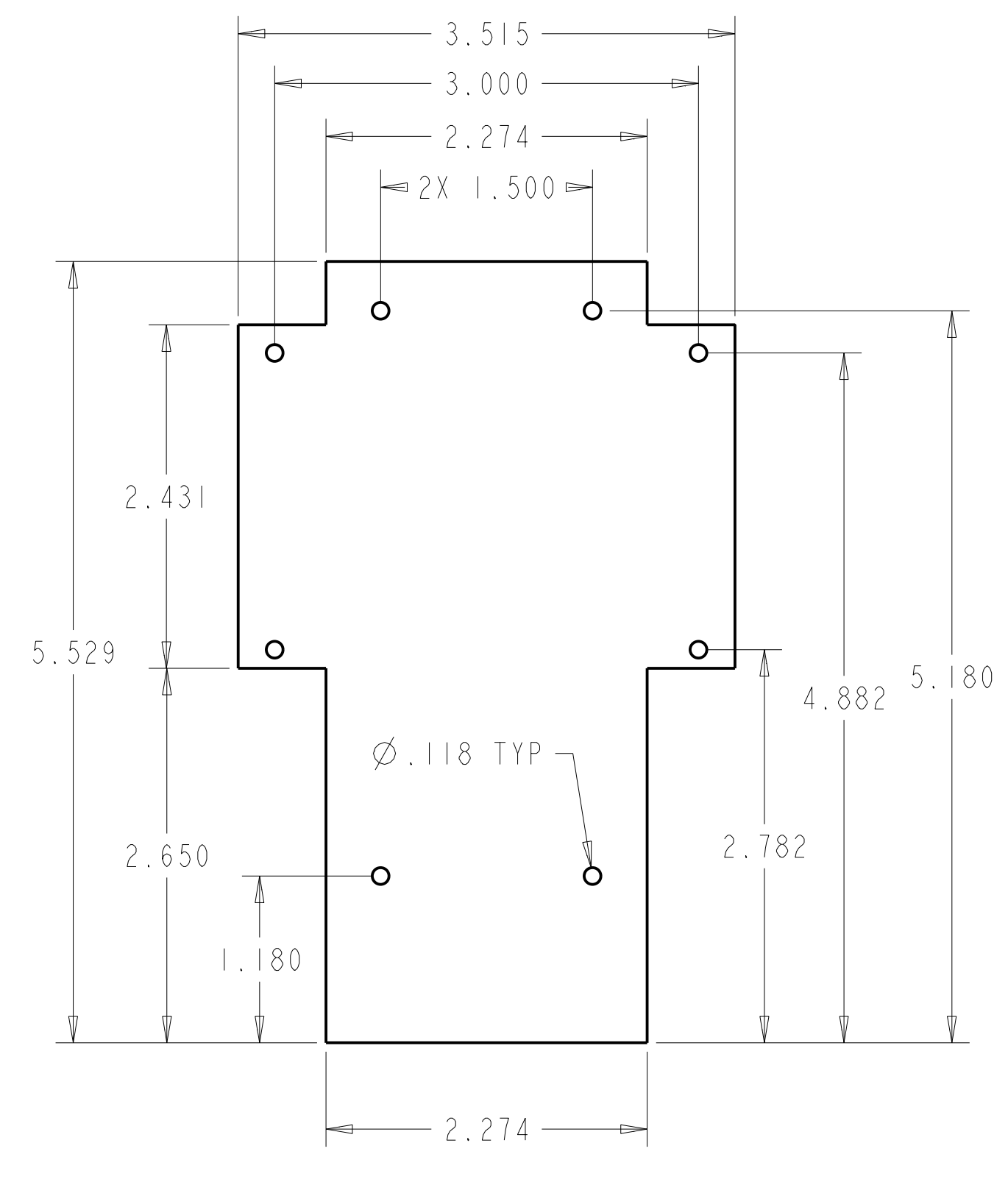
TOP COVER BUTTON AREA PCB



LCD AREA OVERLAY SIZE

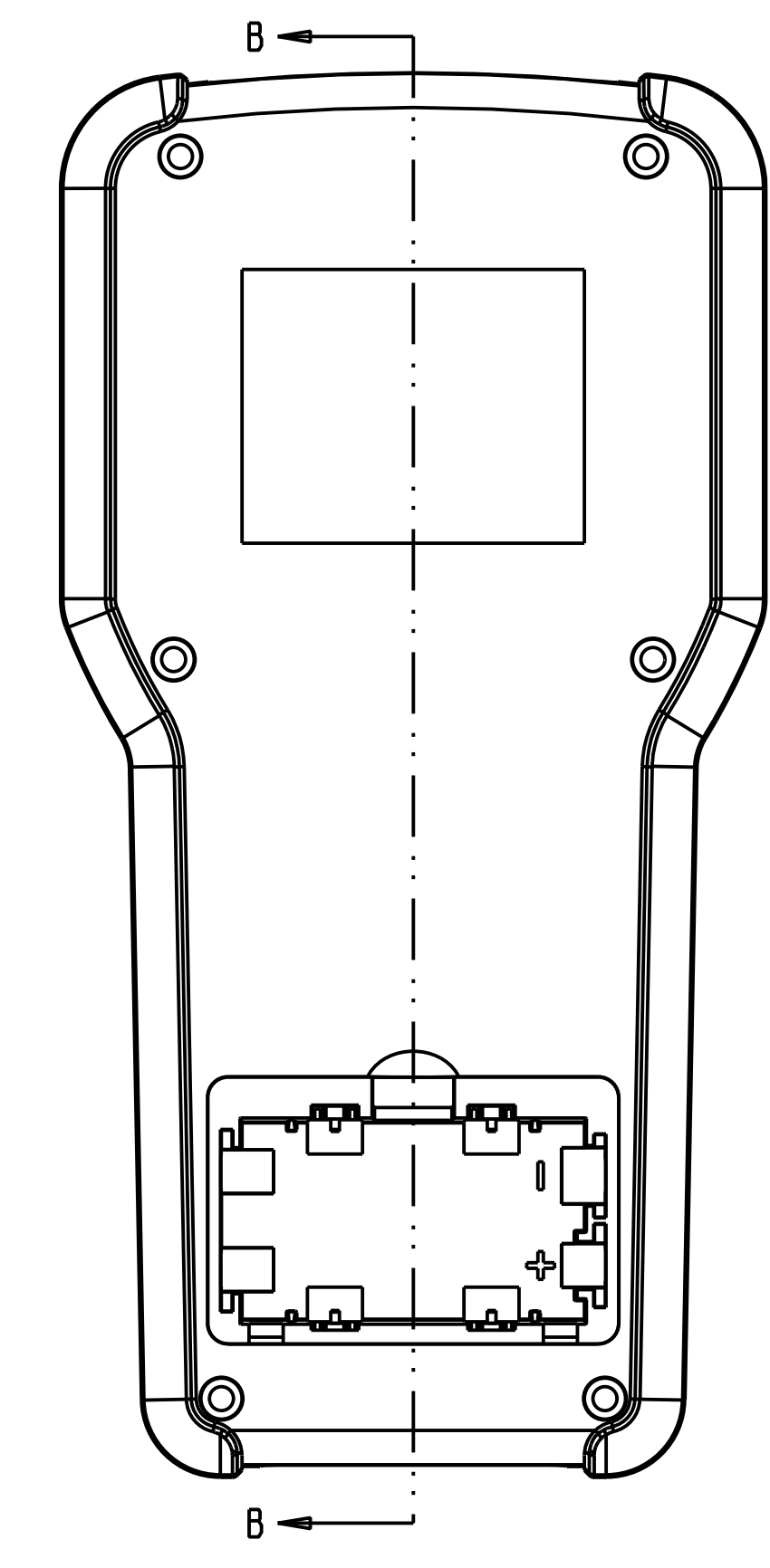
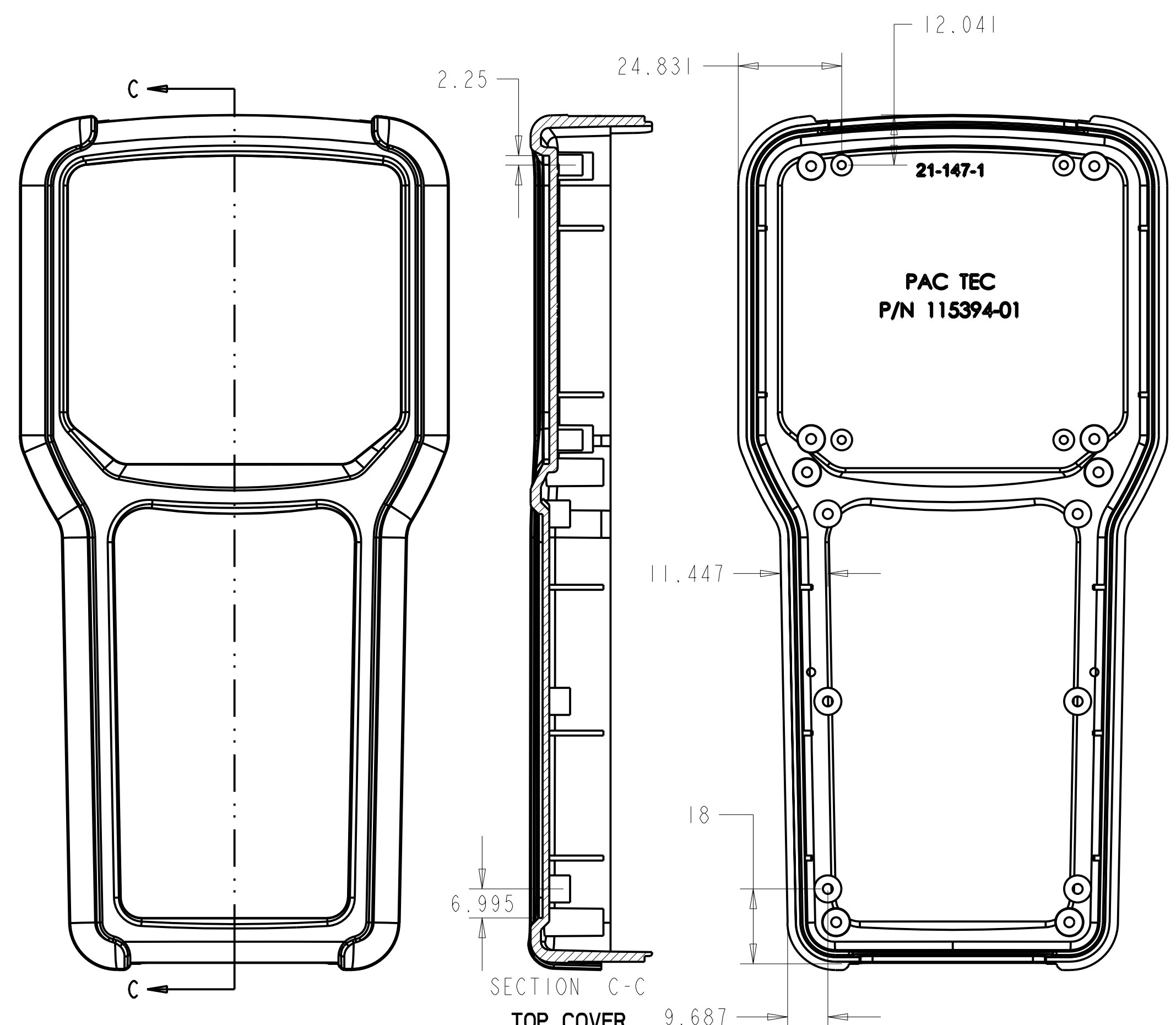
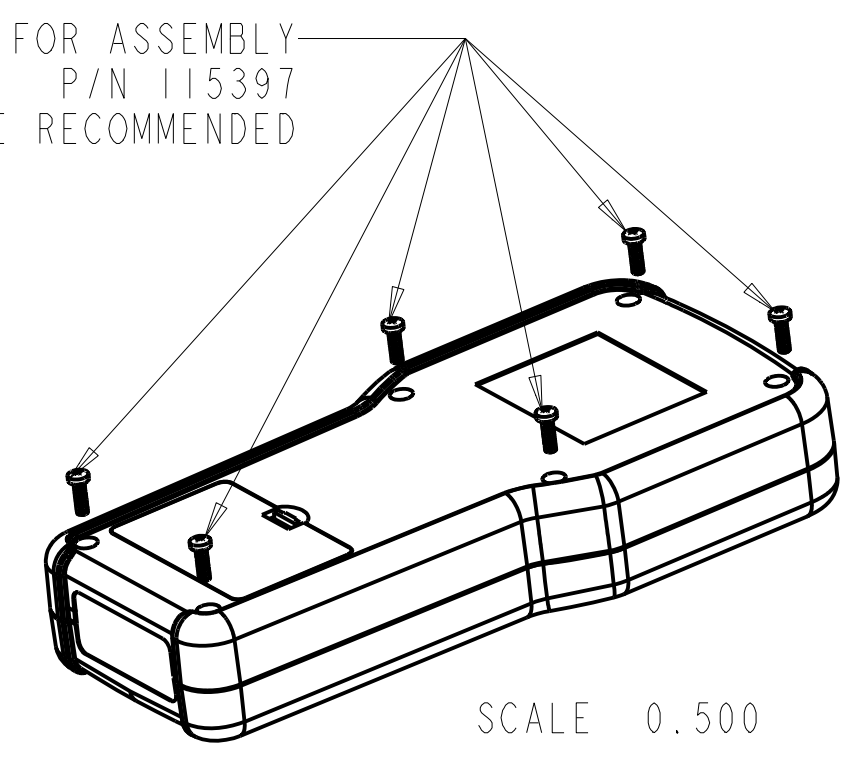


KEYPAD AREA OVERLAY SIZE



BOTTOM COVER MAX PCB SIZE

(6X) M3 X 10 SCREWS FOR ASSEMBLY
P/N 115397
3 IN-LB MAX TORQUE RECOMMENDED



COLOR	MATERIAL	MATERIAL CODE	PMS REFERENCE
GREY	ABS	508	429C
BLACK	TPE RUBBER	623	PROCESS BLACK

PACINTEC[®]
1-610-361-4231

PPT-9VB/2AA

VISIT **PACINTEC**[®]
ON THE WORLD WIDE WEB
www.pactecenclosures.com

INSERT AREAS ARE SECTIONS IN OUR TOOLS THAT CAN BE REMOVED AND REPLACED WITH CUSTOMER SPECIFIC DETAILS

DRAWING NUMBER	REV
115518-501	01