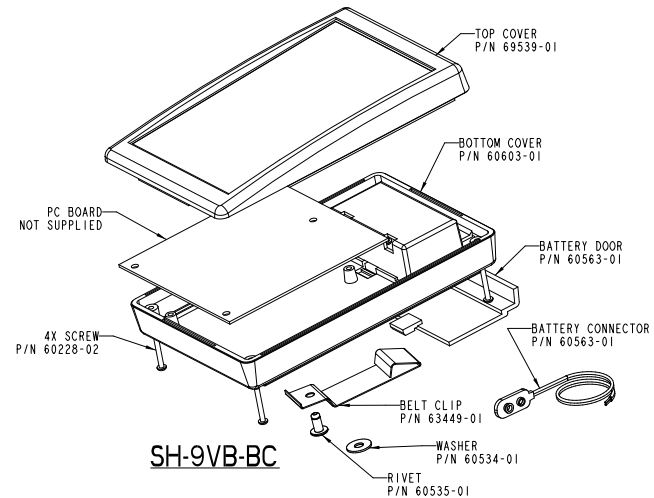
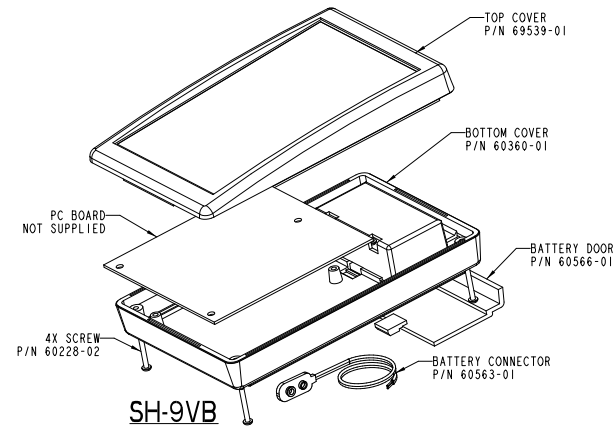
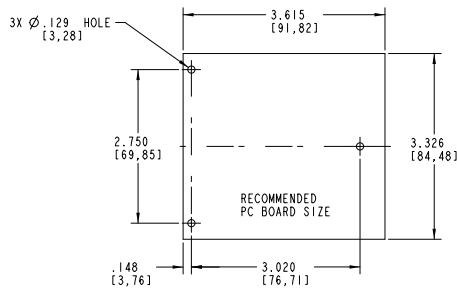
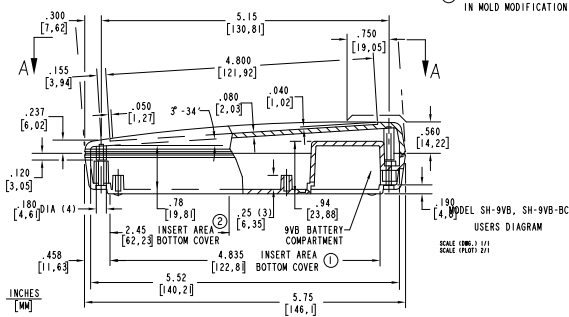
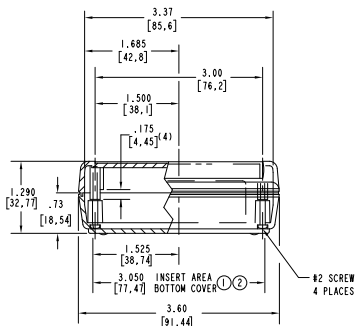


NOTE -DATUM-
FOR CUSTOM OR MACHINING
MODIFICATIONS USE THE
INSERT EDGES OR BOSS
CENTER

① EXTERIOR INSERT AREA, FOR
IN MOLD MODIFICATION

② INTERIOR INSERT AREA, FOR
IN MOLD MODIFICATION



PACITEC[®]
1-610-361-4200

SH-9VB & SH-9VB-BC

VISIT **PACITEC**[®]
ON THE WORLD WIDE WEB
www.pactecenclosures.com

COLOR / MATERIAL CODE		
COLOR	94HB	94VO
BLACK	000	028
P.C.BONE	039	060

DRAWING NUMBER	REV
69638	D