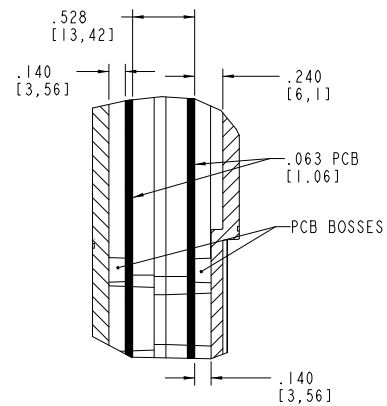
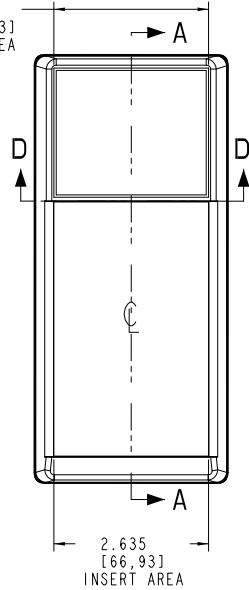


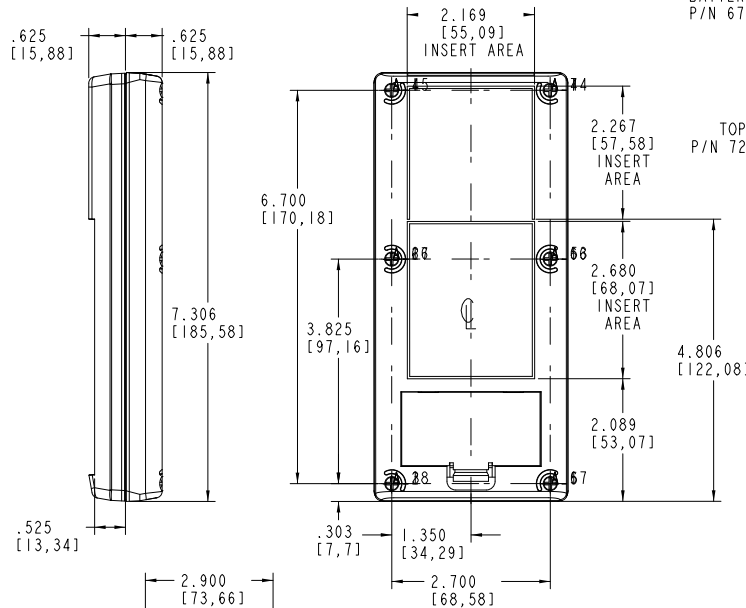
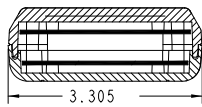
SECTION A-A



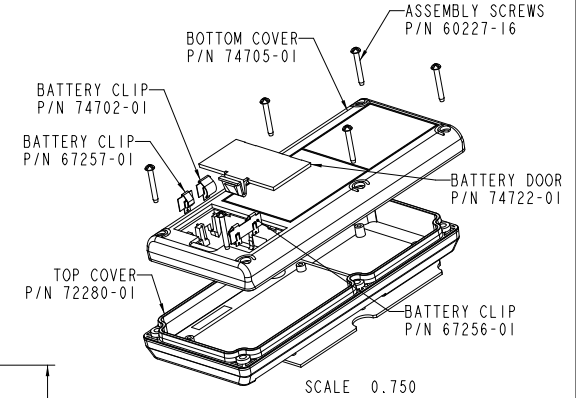
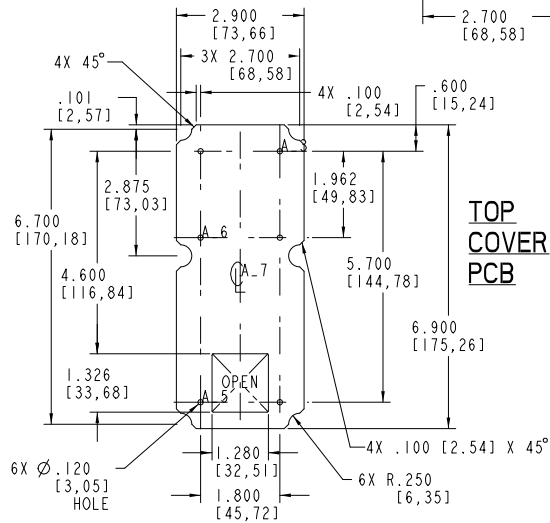
DETAIL B
SCALE 2.000



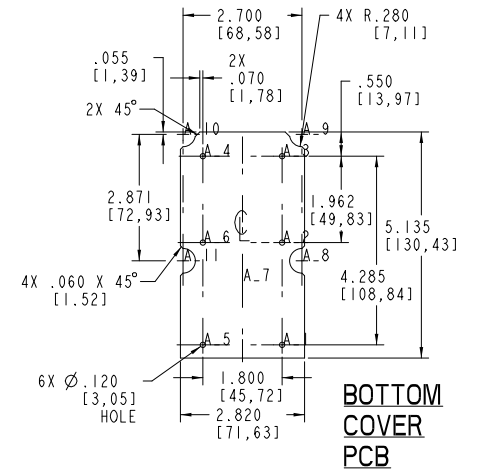
SECTION D-D



TOP COVER PCB



SCALE 0.750



BOTTOM COVER PCB

PACNTEC®
1-610-361-4200

TS-9VB/2AA

VISIT PACNTEC®
ON THE WORLD WIDE WEB
www.pactecenclosures.com

COLOR / MATERIAL CODE	
COLOR	94HB 94VO
BLACK	000 028
P.C.BONE	039 060

DRAWING NUMBER	REV
77833	C