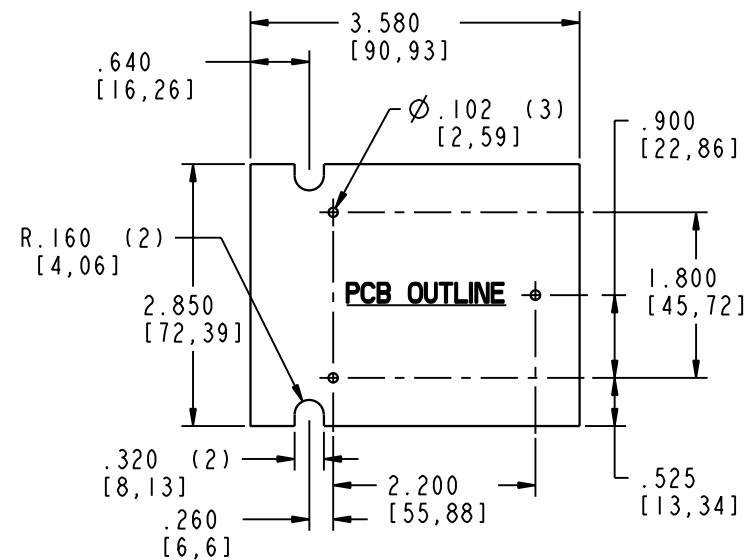
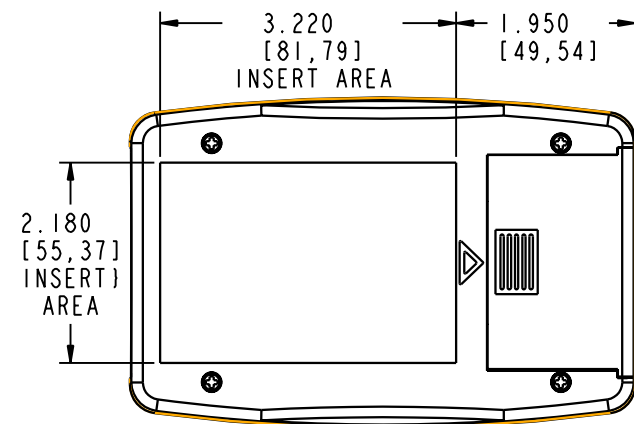
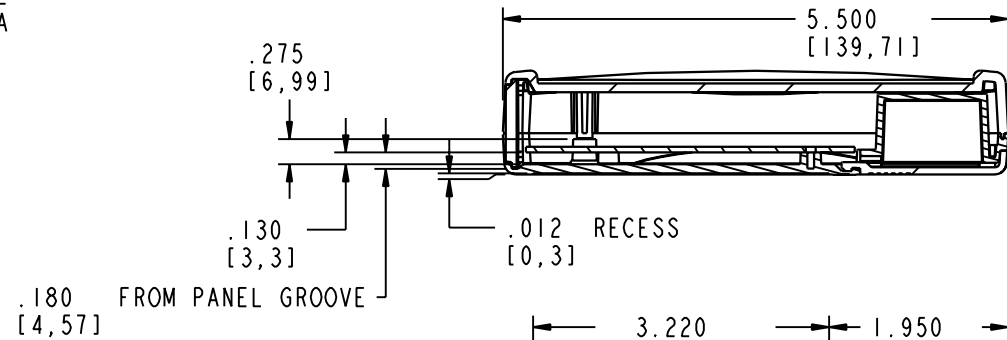
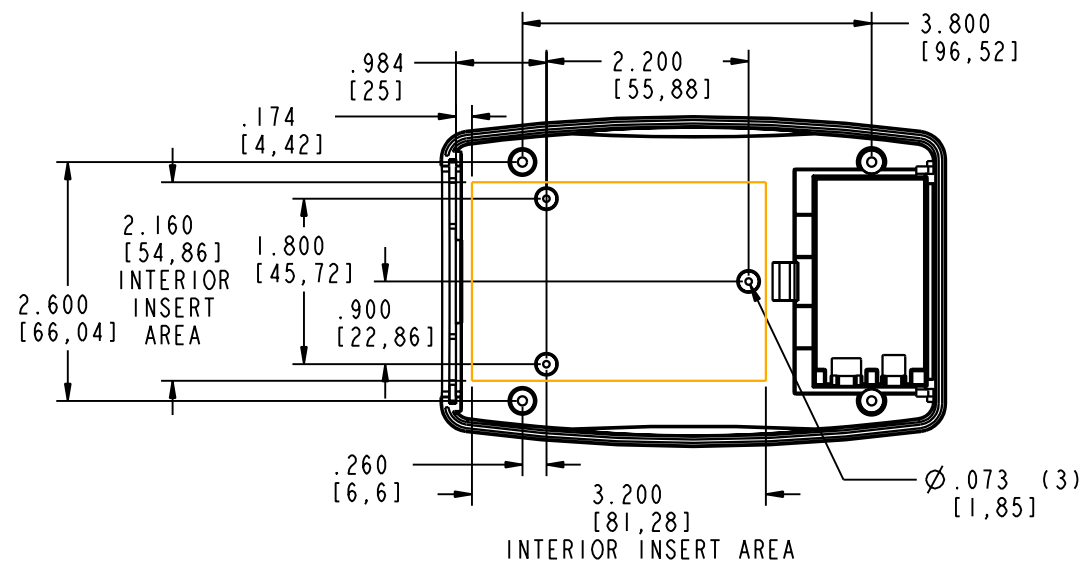


**SECTION A-A**  
SCALE 1.000



SUGGESTED PCB MTG. SCREW  
PHP #2B X 1/4 LG.  
WITH A #2 PLASTIC WASHER.



**PACINTEC®**  
1-610-361-4200

**XP-9VB**

VISIT **PACINTEC®**  
ON THE WORLD WIDE WEB  
[www.pactecenclosures.com](http://www.pactecenclosures.com)

COLOR / MATERIAL CODE		
COLOR	94HB	94VO
BLACK	000	028
P. C. BONE	039	060

DRAWING NUMBER	REV
81539	B